

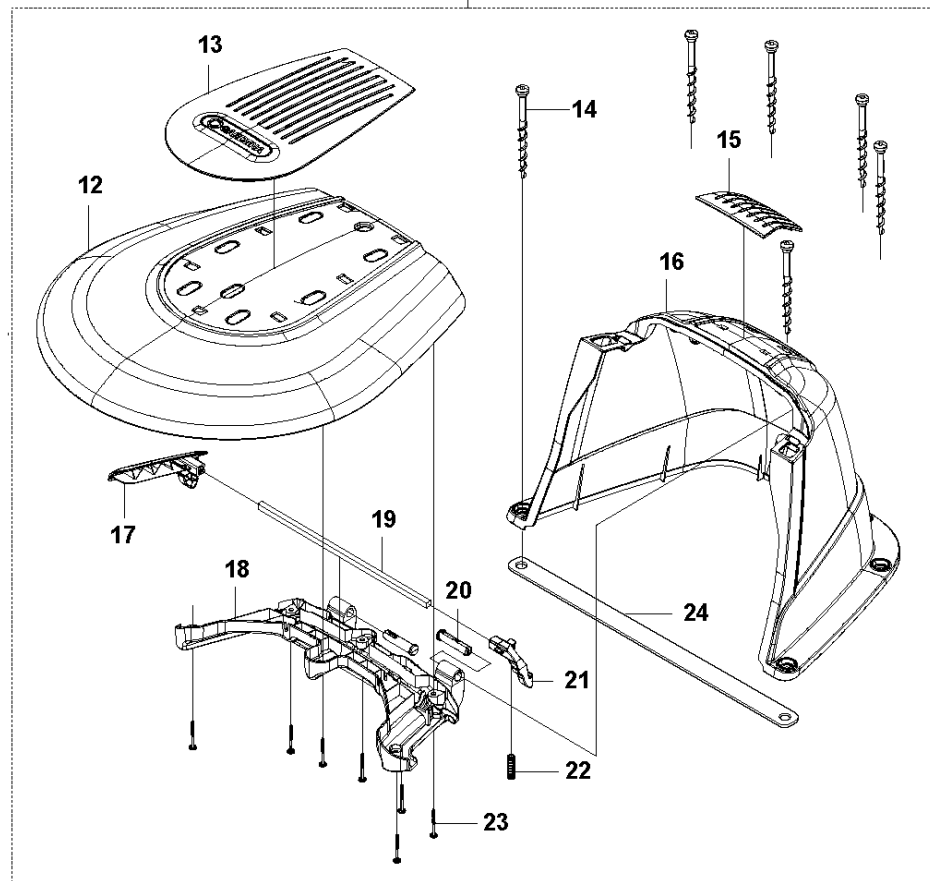
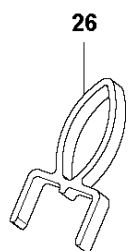
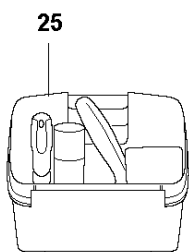
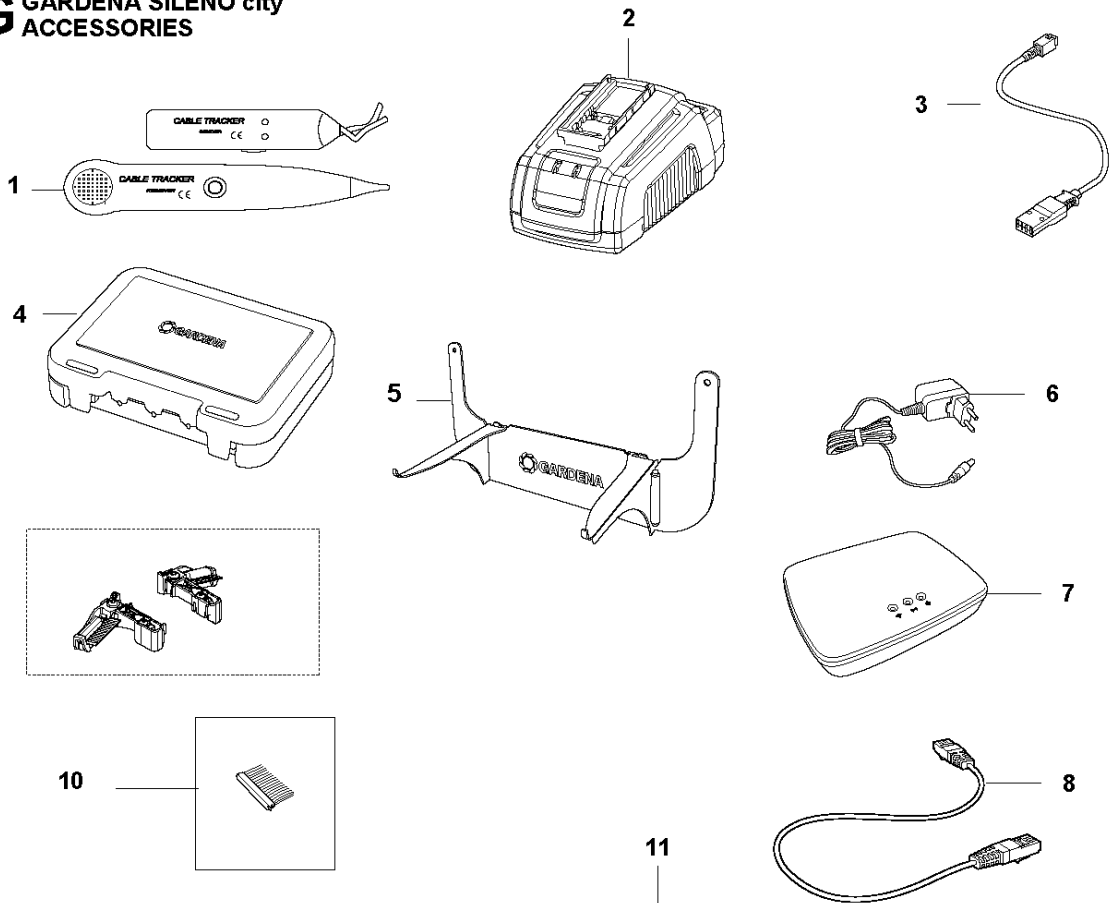


# SPARE PARTS LIST

ROBOTIC LAWN MOWERS

SILENO City, 2018-01

**G** GARDENA SILENO city  
ACCESSORIES

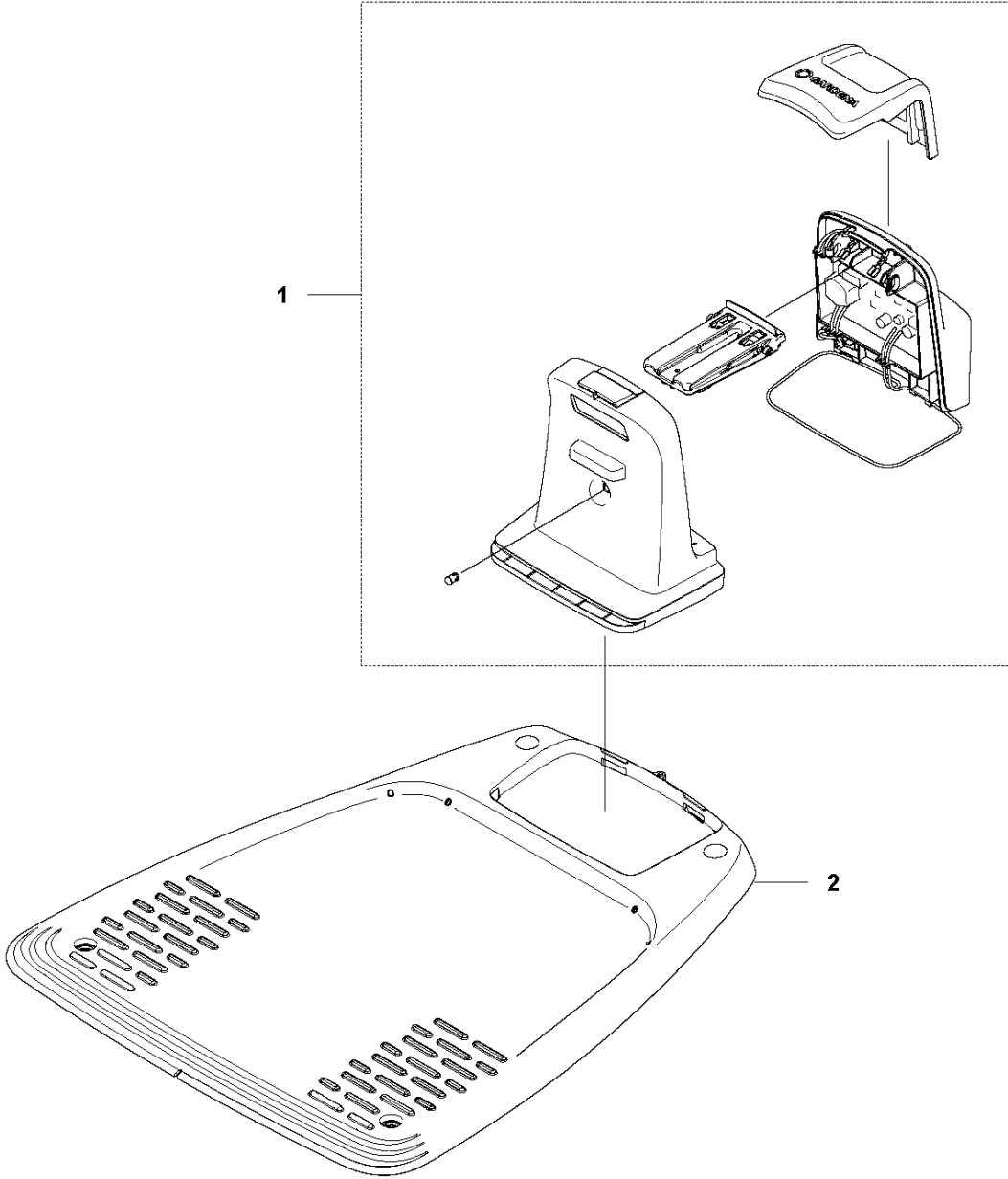


## ACCESSORIES

SILENO City, 2018-01

| Ref | Part No       | Description     | Remark | QTY | KIT |
|-----|---------------|-----------------|--------|-----|-----|
| 1   | 577 60 68-01  | TEST EQUIPMENT  |        | 1   |     |
| 2   | 588 40 84-01  | CHARGER         |        | 1   |     |
| 3   | 588 20 26-01  | CABLE ASSY      |        | 1   |     |
| 4   | 967 10 45-01  | CONNECTOR       |        | 1   |     |
| 4   | Gardena405620 | TBD             |        | 1   |     |
| 5   | 592 61 66-01  | WALL HANGER     |        | 1   |     |
| 5   | Gardena404520 | TBD             |        | 1   |     |
| 6   | 589 20 95-01  | ADAPTER         |        | 1   |     |
| 7   | 588 98 66-01  | UNIT            |        | 1   |     |
| 8   | 501 65 70-01  | WIRE            |        | 1   |     |
| 9   | 592 61 58-01  | BRUSH KIT       |        | 1   |     |
| 10  | 593 37 37-01  | BRUSH KIT       |        | 1   |     |
| 11  | 586 80 17-01  | HOUSING         |        | 1   |     |
| 12  | 587 91 63-01  | COVER KIT       |        | 1   | 11  |
| 13  | 587 91 64-01  | COVER KIT       |        | 1   | 11  |
| 14  | 586 69 44-01  | COVER           |        | 1   | 11  |
| 15  | 586 69 46-01  | COVER           |        | 1   | 11  |
| 16  | 586 69 42-01  | BEAM            |        | 1   | 11  |
| 17  | 586 69 47-01  | HANDLE          |        | 1   | 11  |
| 18  | 585 32 41-02  | ROD             |        | 1   | 11  |
| 19  | 586 69 48-01  | LATCH           |        | 1   | 11  |
| 20  | 585 34 15-01  | HINGE PIN       |        | 2   | 11  |
| 21  | 575 54 33-14  | SCREW           |        | 8   | 11  |
| 22  | 575 23 86-01  | SCREW KIT       |        | 1   | 11  |
| 23  | 580 51 14-01  | SPRING          |        | 1   | 11  |
| 24  | 590 87 81-01  | SUPPORT         |        | 1   |     |
| 25  | 967 10 43-01  | MAINTENANCE KIT |        | 1   |     |
| 25  | 406720        | TBD             |        | 1   |     |
| 26  | 593 21 56-01  | FORK            |        | 1   |     |

**E** GARDENA SILENO city  
CHARGING STATION

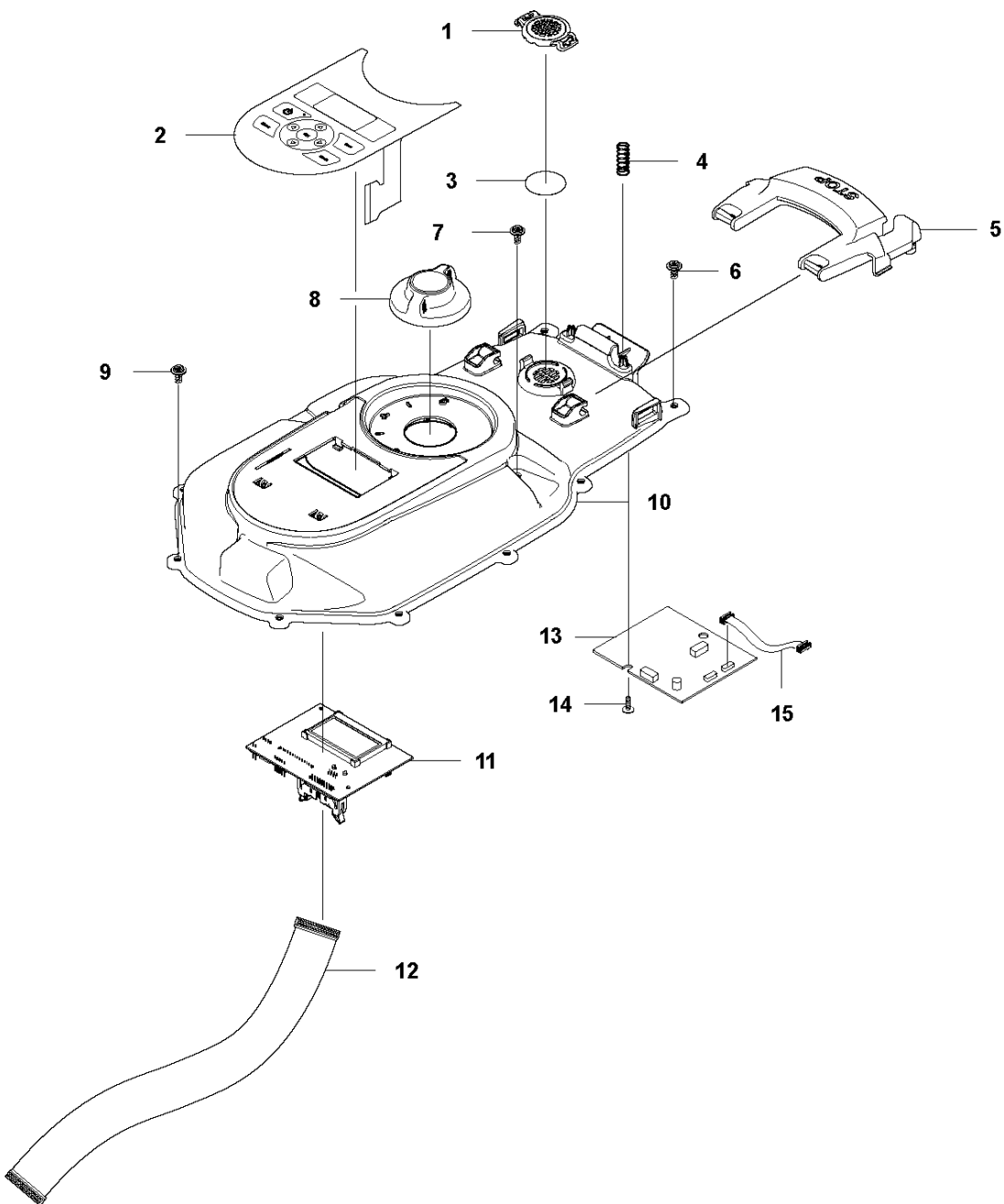


CHARGING STATION

SILENO City, 2018-01

| Ref | Part No      | Description      | Remark | QTY KIT |
|-----|--------------|------------------|--------|---------|
| 1   | 593 31 77-01 | CHARGING STATION |        | 1       |
| 2   | 582 78 43-01 | PLATE            |        | 1       |

**B** GARDENA SILENO city  
CHASSIS UPPER

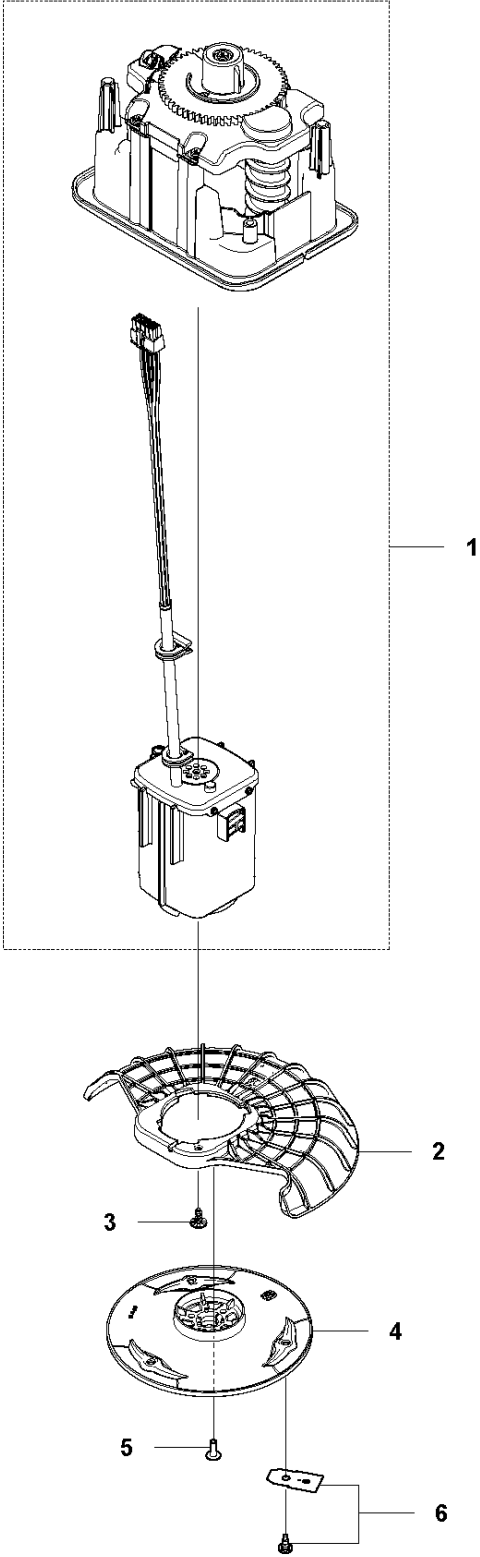


## CHASSIS UPPER

SILENO City, 2018-01

| Ref | Part No      | Description          | Remark | QTY KIT |
|-----|--------------|----------------------|--------|---------|
| 1   | 586 03 89-01 | COVER                |        | 1       |
| 2   | 583 79 10-01 | KEYBOARD             |        | 1       |
| 3   | 576 92 15-01 | AIR FILTER           |        | 1       |
| 4   | 576 24 22-01 | SPRING               |        | 2       |
| 5   | 591 45 25-01 | BUTTON ASSY          |        | 1       |
| 6   | 574 45 01-01 | SCREW ITXPANT        |        | 2       |
| 7   | 574 45 01-01 | SCREW ITXPANT        |        | 2       |
| 8   | 587 98 65-01 | KNOB                 |        | 1       |
| 9   | 574 45 01-01 | SCREW ITXPANT        |        | 8       |
| 10  | 582 82 41-02 | CHASSIS              |        | 1       |
| 11  | 592 91 00-01 | PRINTED CIRCUIT ASSY |        | 1       |
| 12  | 590 11 06-01 | CABLE ASSY           |        | 2       |
| 13  | 588 13 62-03 | PRINTED CIRCUIT ASSY |        | 1       |
| 14  | 574 45 01-01 | SCREW ITXPANT        |        | 2       |
| 15  | 579 70 86-01 | WIRING ASSY          |        | 1       |

**D** GARDENA SILENO city  
BLADE MOTOR & CUTTING EQUIPMENT



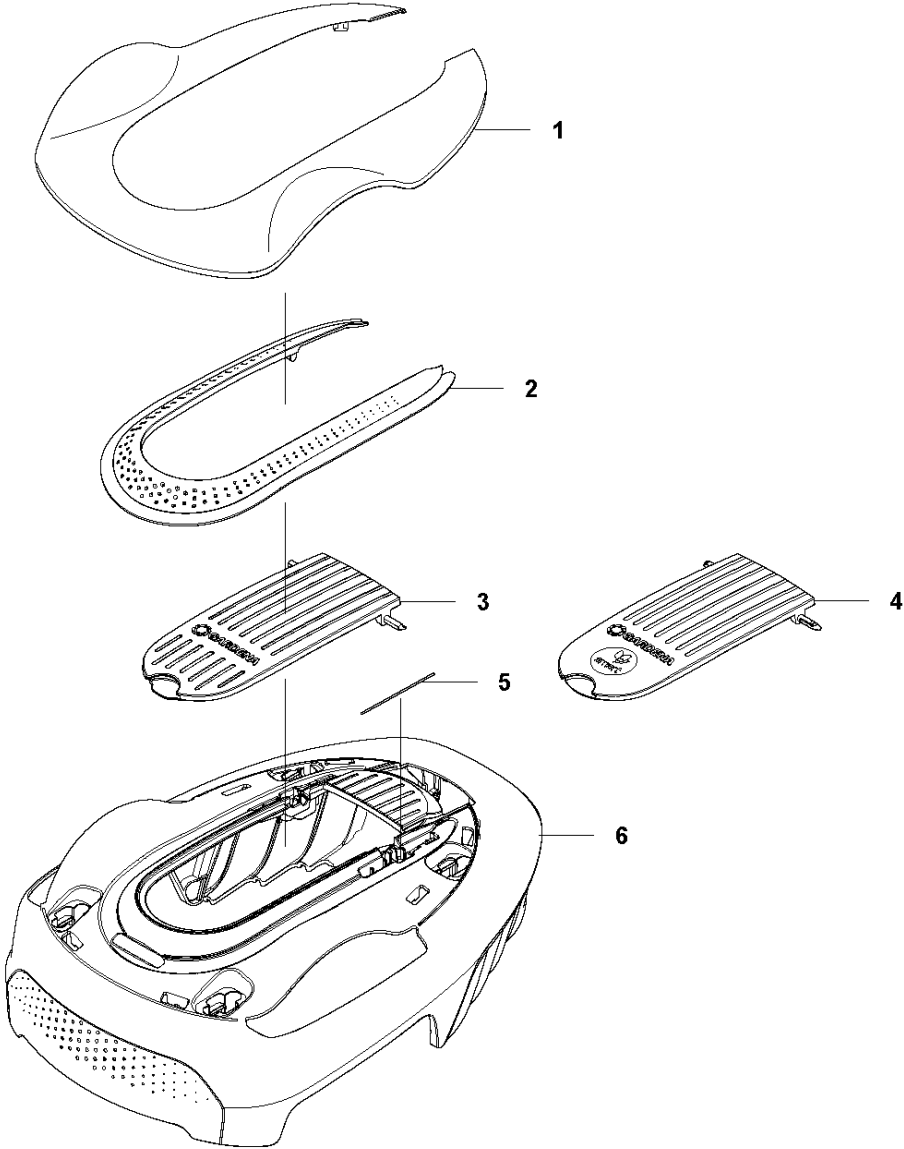


BLADE MOTOR & CUTTING EQUIPMENT

SILENO City, 2018-01

| Ref | Part No           | Description    | Remark | QTY | KIT |
|-----|-------------------|----------------|--------|-----|-----|
| 1   | 593 82 14-01      | CUTTING SYSTEM |        | 1   | 2   |
| 2   | 589 35 07-01      | GUARD          |        | 1   |     |
| 3   | 574 45 01-01      | SCREW ITPANT   |        | 1   |     |
| 4   | 589 34 68-01      | CUTTING DISC   |        | 1   |     |
| 5   | 590 50 87-01      | SCREW          |        | 3   |     |
| 6   | 966 80 95-01      | BLADE          |        | 1   |     |
| 6   | Gardena40872<br>0 | TBD            |        | 1   |     |

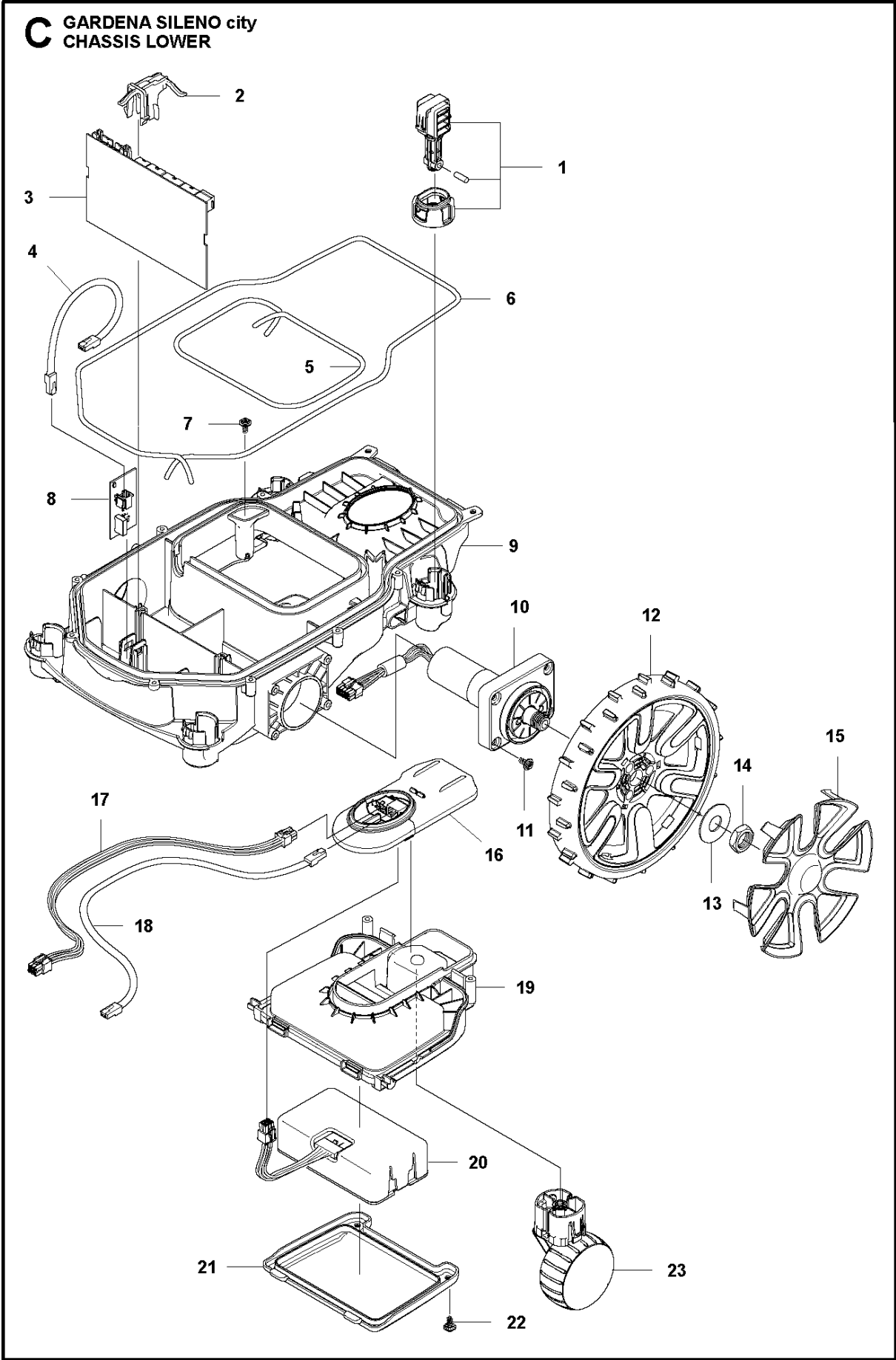
**A** GARDENA SILENO city  
BODY



COVER

SILENO City, 2018-01

| Ref | Part No      | Description | Remark | QTY KIT |
|-----|--------------|-------------|--------|---------|
| 1   | 582 82 45-01 | COVER       |        | 1       |
| 2   | 582 91 65-01 | FRAME       |        | 1       |
| 3   | 582 84 42-01 | HATCH       |        | 1       |
| 4   | 593 34 86-01 | HATCH       |        | 1       |
| 5   | 588 47 02-01 | SPRING      |        | 2       |
| 6   | 591 44 45-01 | BODY ASSY   |        | 1       |

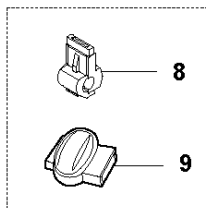
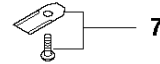
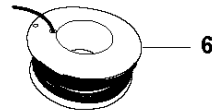
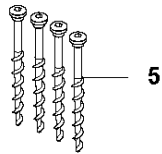
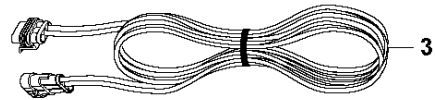
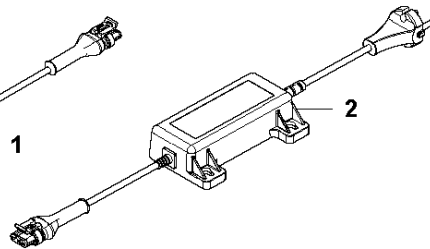
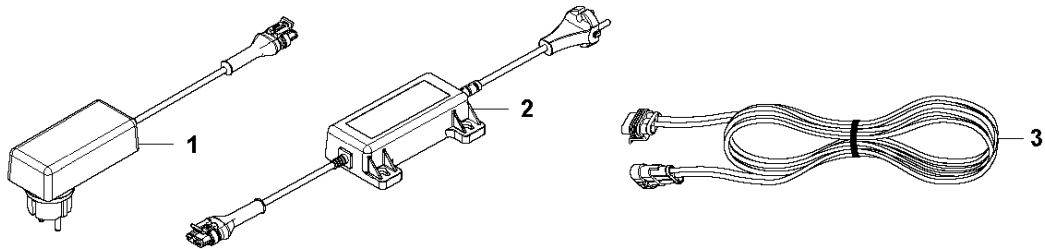


## CHASSIS LOWER

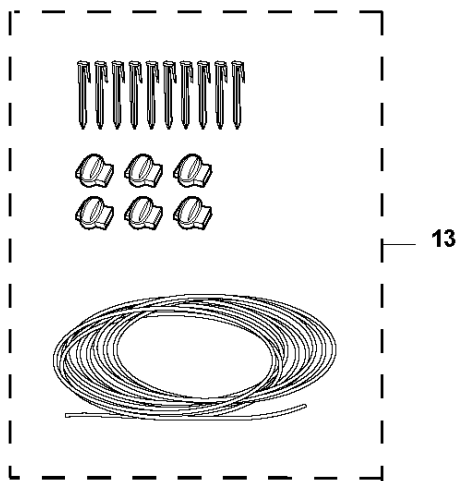
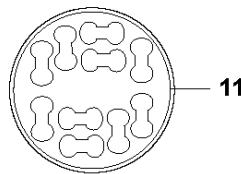
SILENO City, 2018-01

| Ref | Part No      | Description          | Remark | QTY | KIT |
|-----|--------------|----------------------|--------|-----|-----|
| 1   | 590 77 07-01 | COLUMN ASSY          |        | 4   |     |
| 2   | 591 47 42-01 | CLIP                 |        | 1   |     |
| 3   | 592 90 99-01 | PRINTED CIRCUIT ASSY |        | 1   |     |
| 4   | 589 35 08-01 | WIRING ASSY          |        | 1   |     |
| 5   | 574 87 47-11 | SEALING STRIP        |        | 1   |     |
| 6   | 574 87 47-10 | SEALING STRIP        |        | 1   |     |
| 6   | 593 26 57-01 | SEAL KIT             |        | 1   |     |
| 7   | 574 45 01-01 | SCREW ITXPANT        |        | 2   |     |
| 8   | 592 90 98-01 | PRINTED CIRCUIT ASSY |        | 1   |     |
| 9   | 582 82 40-01 | CHASSIS              |        | 1   |     |
| 10  | 587 44 94-02 | MOTOR KIT            |        | 2   |     |
| 11  | 574 45 01-01 | SCREW ITXPANT        |        | 8   |     |
| 12  | 590 58 71-01 | WHEEL ASSY           |        | 2   |     |
| 13  | 586 21 06-01 | WASHER               |        | 2   |     |
| 14  | 731 43 24-01 | HEXAGON THIN NUT     |        | 2   |     |
| 15  | 590 66 02-01 | HUB CAP              |        | 2   |     |
| 16  | 593 09 46-01 | SENSOR ASSY          |        | 1   |     |
| 17  | 589 35 11-01 | WIRING ASSY          |        | 1   |     |
| 18  | 589 35 10-01 | WIRING ASSY          |        | 1   | 16  |
| 19  | 582 82 46-01 | HOUSING              |        | 1   |     |
| 20  | 592 96 83-01 | BATTERY              |        | 1   |     |
| 21  | 582 82 49-01 | COVER                |        | 1   |     |
| 22  | 574 45 01-01 | SCREW ITXPANT        |        | 2   |     |
| 23  | 589 30 08-01 | WHEEL ASSY           |        | 1   |     |

**F** GARDENA SILENO city  
INSTALLATION ACCESSORIES



10



14



15

INSTALLATION ACCESSORIES

SILENO City, 2018-01

| Ref | Part No       | Description       | Remark                   | QTY | KIT |
|-----|---------------|-------------------|--------------------------|-----|-----|
| 1   | 593 16 36-01  | POWER UNIT        | EU                       | 1   |     |
| 2   | 590 44 22-02  | POWER UNIT        | UK                       | 1   |     |
| 2   | 590 44 22-03  | POWER UNIT        | CH                       | 1   |     |
| 3   | 579 82 51-01  | CABLE ASSY        | Low Voltage Cable (20 m) | 1   |     |
| 3   | 579 82 51-02  | CABLE ASSY        | Low Voltage Cable (10 m) | 1   |     |
| 3   | 579 82 51-03  | CABLE ASSY        | Low Voltage Cable (3 m)  | 1   |     |
| 3   | 579 82 51-04  | CABLE ASSY        | Low Voltage Cable (5 m)  | 1   |     |
| 4   | 966 80 98-01  | STAPLE            |                          | 1   |     |
| 4   | Gardena409020 | TBD               |                          | 1   |     |
| 5   | 575 23 86-06  | SCREW KIT         |                          | 1   |     |
| 6   | 967 10 48-01  | WIRE              |                          | 1   |     |
| 6   | Gardena405820 | TBD               |                          | 1   |     |
| 6   | 966 80 96-01  | WIRE              |                          | 1   |     |
| 6   | Gardena408820 | TBD               |                          | 1   |     |
| 7   | 966 80 95-01  | BLADE             |                          | 1   |     |
| 7   | Gardena408720 | TBD               |                          | 1   |     |
| 7   | 577 60 65-05  | BLADE SET         |                          | 1   |     |
| 7   | 577 60 66-04  | BLADE SET         |                          | 1   |     |
| 8   | 535 12 90-01  | CONNECTOR         |                          | 1   | 10  |
| 9   | 501 98 02-01  | COUPLER           |                          | 1   | 10  |
| 10  | 966 80 97-01  | COUPLER           |                          | 1   |     |
| 10  | Gardena408920 | TBD               |                          | 1   |     |
| 10  | 579 04 81-01  | ACCESSORY BAG     |                          | 1   |     |
| 11  | 586 27 79-01  | STICKER           |                          | 1   |     |
| 12  | 502 40 53-01  | LABEL             |                          | 1   |     |
| 13  | 967 10 49-01  | REPAIR KIT        |                          | 1   |     |
| 13  | Gardena405920 | TBD               |                          | 1   |     |
| 14  | 115 89 45-01  | OPERATOR'S MANUAL |                          | 1   |     |
| 14  | 115 89 45-06  | OPERATOR'S MANUAL |                          | 1   |     |
| 14  | 115 89 45-11  | OPERATOR'S MANUAL |                          | 1   |     |
| 14  | 115 89 45-21  | OPERATOR'S MANUAL |                          | 1   |     |
| 14  | 115 89 45-26  | OPERATOR'S MANUAL |                          | 1   |     |
| 14  | 115 89 45-31  | OPERATOR'S MANUAL |                          | 1   |     |
| 14  | 115 89 45-36  | OPERATOR'S MANUAL |                          | 1   |     |
| 14  | 115 89 45-41  | OPERATOR'S MANUAL |                          | 1   |     |
| 14  | 115 89 45-46  | OPERATOR'S MANUAL |                          | 1   |     |
| 14  | 115 89 45-51  | OPERATOR'S MANUAL |                          | 1   |     |
| 14  | 115 89 45-58  | OPERATOR'S MANUAL |                          | 1   |     |
| 14  | 115 89 45-59  | OPERATOR'S MANUAL |                          | 1   |     |
| 14  | 115 89 45-60  | OPERATOR'S MANUAL |                          | 1   |     |
| 14  | 115 89 45-61  | OPERATOR'S MANUAL |                          | 1   |     |
| 14  | 115 89 45-68  | OPERATOR'S MANUAL |                          | 1   |     |
| 14  | 115 89 45-84  | OPERATOR'S MANUAL |                          | 1   |     |
| 14  | 115 89 45-90  | OPERATOR'S MANUAL |                          | 1   |     |
| 15  | 115 89 46-01  | QUICK GUIDE       |                          | 1   |     |
| 15  | 115 89 46-06  | QUICK GUIDE       |                          | 1   |     |
| 15  | 115 89 46-11  | QUICK GUIDE       |                          | 1   |     |
| 15  | 115 89 46-21  | QUICK GUIDE       |                          | 1   |     |
| 15  | 115 89 46-26  | QUICK GUIDE       |                          | 1   |     |
| 15  | 115 89 46-31  | QUICK GUIDE       |                          | 1   |     |
| 15  | 115 89 46-36  | QUICK GUIDE       |                          | 1   |     |
| 15  | 115 89 46-41  | QUICK GUIDE       |                          | 1   |     |
| 15  | 115 89 46-46  | QUICK GUIDE       |                          | 1   |     |
| 15  | 115 89 46-51  | QUICK GUIDE       |                          | 1   |     |
| 15  | 115894658     | TBD               |                          | 1   |     |
| 15  | 115894659     | TBD               |                          | 1   |     |
| 15  | 115 89 46-61  | QUICK GUIDE       |                          | 1   |     |
| 15  | 115894661     | TBD               |                          | 1   |     |
| 15  | 115 89 46-68  | QUICK GUIDE       |                          | 1   |     |
| 15  | 115 89 46-90  | QUICK GUIDE       |                          | 1   |     |
| 15  | 115 89 46-84  | QUICK GUIDE       |                          | 1   |     |