

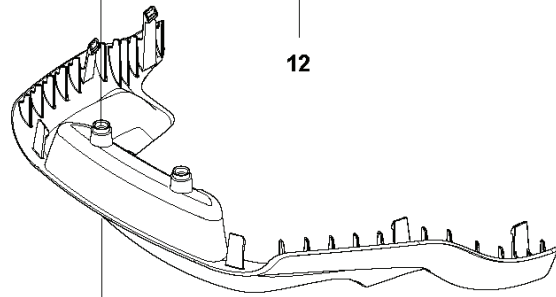
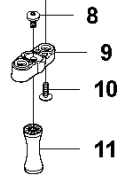
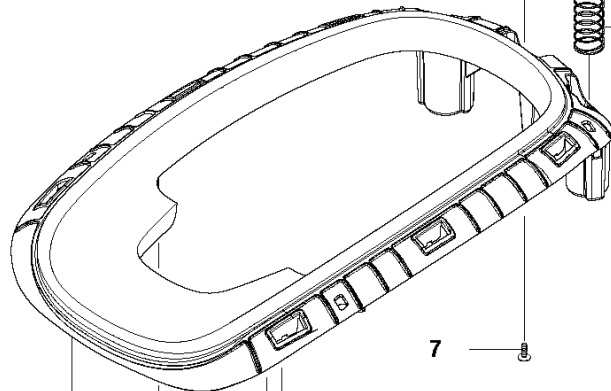
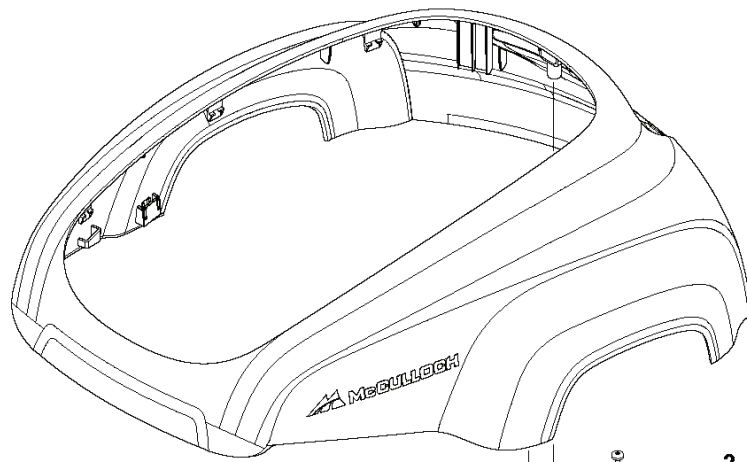
SPARE PARTS CATALOGUE

: R600

Spare Parts List

SPARE PARTS LIST

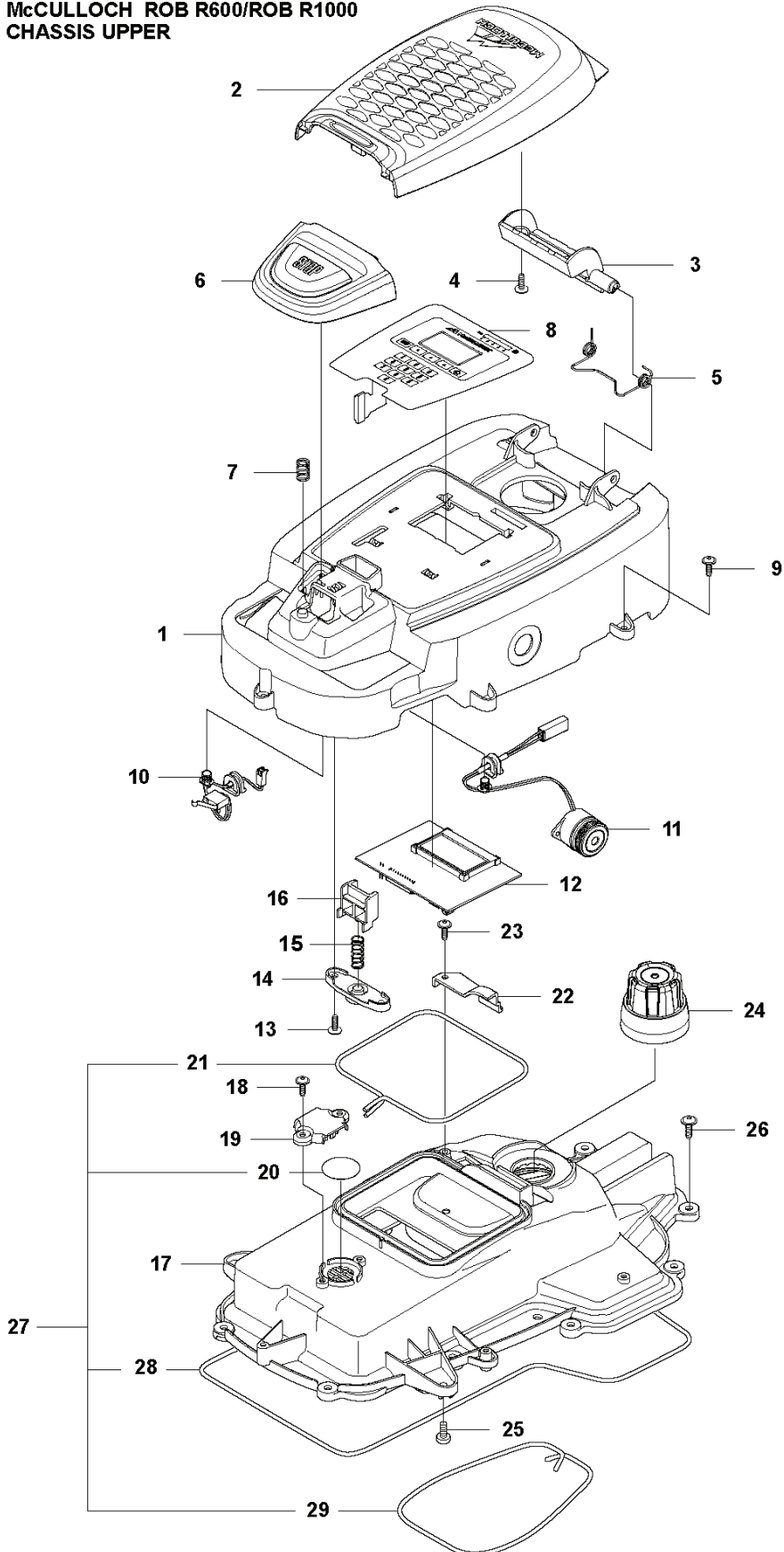
A McCULLOCH ROB R600/ROB R1000
COVER



1

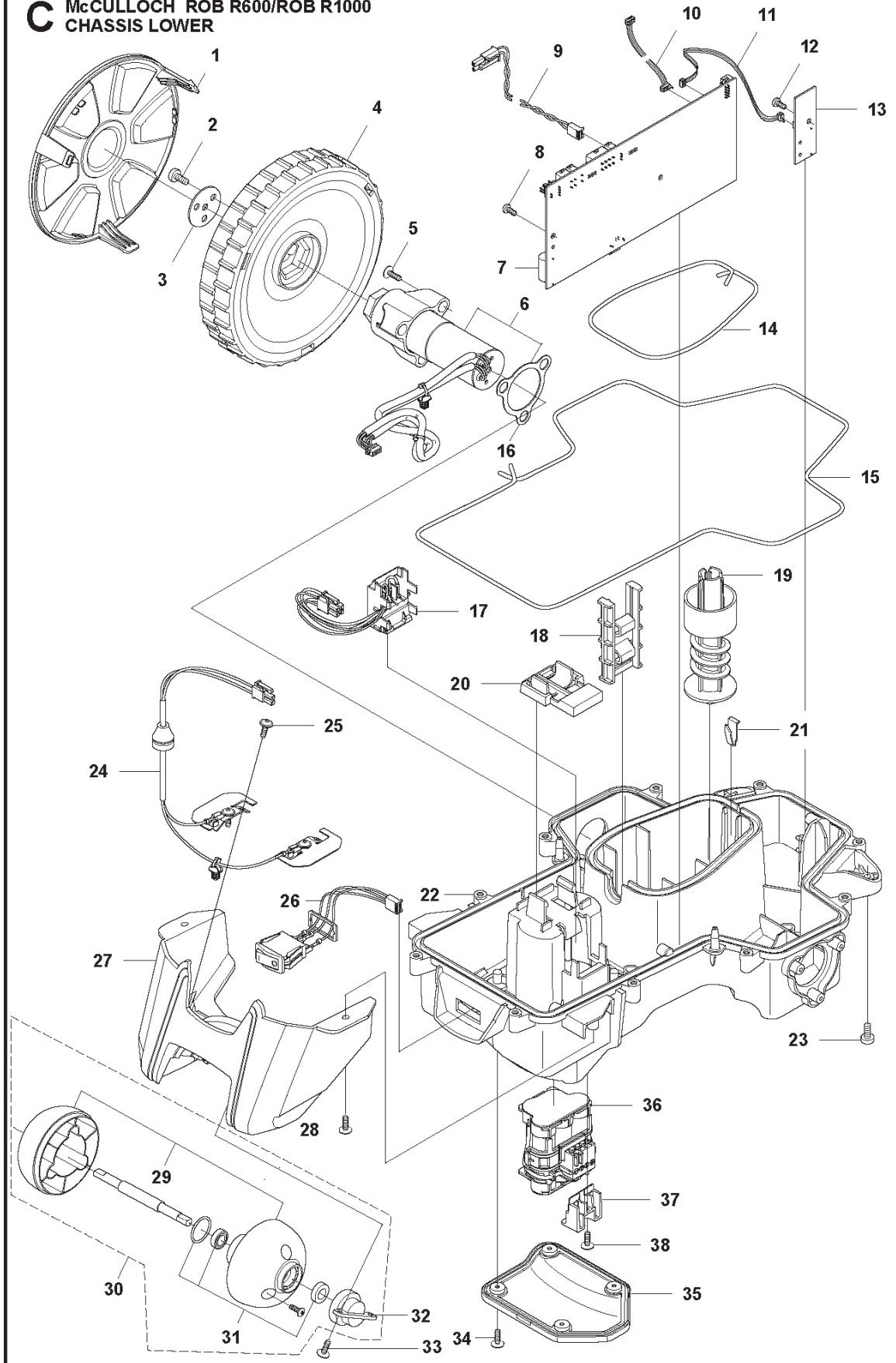
PXM_REF	PXM_PARTNO	BESCHREIBUNG	PXM_REMARK		
1	583799701	BODY ASSY	Body assy.	1	
2	590740201	SCHRAUBE	Screw	2	
3	574469002	HALTER	Bracket, Lift Sensor	2	
4	574469102	DÄMPFER	Rubber Damper	2	
5	574485102	FEDER	Spring, Lift Sensor	2	
6	576183202	MAGNET	Magnet, Lift Sensor	1	
7	575543314	SCHRAUBE	Screw, Grey (14 mm)	3	
8	590740201	SCHRAUBE	Screw	2	
9	575416002	SUPPORT CLAMP	Support Clamp	2	
10	575543314	SCHRAUBE	Screw, Grey (14 mm)	4	
11	574469102	DÄMPFER	Rubber Damper	2	
12	576030101	PLATTE	Plate, Collision Sensor	1	
13	576183301	MAGNET	Magnet, Collision Sensor	1	
14	575543310	SCHRAUBE	Screw, Grey	2	

B McCULLOCH ROB R600/ROB R1000
CHASSIS UPPER



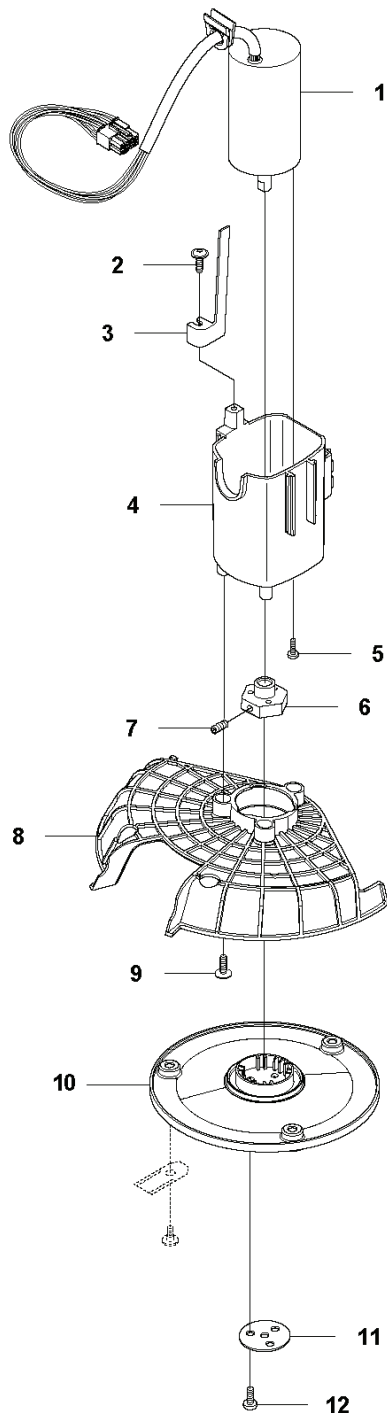
PXM_REF	PXM_PARTNO	BESCHREIBUNG	PXM_REMARK	
1	579391905	ABDECKUNGSSATZ	Display Cover KIT incl. Sealing & Keyboard	1
2	501925801	LUKE	Cover, Height Adjustment	1
3	577707801	SCHARNIER	Hinge, Height Adjustment Lid	1
4	575543314	SCHRAUBE	Screw, Grey (14 mm)	2
5	578445201	FEDER	Spring, Height Adjustment Lid	1
6	501925701	KNOPF	Stop Button	1
7	574487001	FEDER	Spring, Stop Button	1
8	582106101	TASTATUR	Keyboard	1
9	575543314	SCHRAUBE	Screw, Grey (14 mm)	5
10	574480301	SCHALTER	Micro Switch, Stop Button	1
11	574475901	SUMMER	Buzzer, Display Cover	1
12	588441901	PLATINE KPL.	Display/MMI, Circuit Board	1
13	575543314	SCHRAUBE	Screw, Grey (14 mm)	2
14	575415801	FEDERHALTER	Spring Holder, Stop Button	1
15	576242201	FEDER	Spring Lock, Stop Button	1
16	575409001	SPERRE	Lock, Stop Button	1
17	577752902	SATZ	Chassis Upper KIT incl. Sealing & Air Filter	1
18	575543314	SCHRAUBE	Screw, Grey (14 mm)	2
19	576697001	DECKEL	Cover, Air Filter	1
20	577753701	FILTER	Air Filter KIT (10 pcs)	1
21	574874704	DICHTUNGSSSTREIFEN	Sealing Strip (1 pcs, diam. 4 mm)	1
22	576053901	DECKEL	Cover, Height Indicator	1
23	575543314	SCHRAUBE	Screw, Grey (14 mm)	1
24	589772901	KNOB ASSY	Knob, Height Adjustment Assy incl. Knob & Sticker	1
25	590740201	SCHRAUBE	Screw	2
26	574450101	SCHRAUBE	Screw	10
27	588407001	SEAL KIT	Seal KIT incl. Sealing Strip Chassis (1 pcs), Sealing Strip Short (2 pcs), Air Filter (1 pcs)	1
28	574874703	DICHTUNGSSSTREIFEN	Sealing Strip, Chassis (1 pcs, diam. 4 mm)	1
29	574874704	DICHTUNGSSSTREIFEN	Sealing Strip (1 pcs, diam. 4 mm)	1

C McCULLOCH ROB R600/ROB R1000
CHASSIS LOWER



PXM_REF	PXM_PARTNO	BESCHREIBUNG	PXM_REMARK	
1	577707902	RADKAPPE	Hub Cap, Drive Wheel	2
2	576213902	SCHRAUBE	Screw	6
3	577093201	SCHLEIBE	Washer, Drive Wheel	2
4	574465104	LAUFRAD	Wheel, Drive Wheel	2
5	575543314	SCHRAUBE	Screw, Grey (14 mm)	6
6	577839905	RAD MOTOR	Wheel Motor KIT incl. Sealing	2
7	592851701	PLATINE KPL.	Main Circuit Board (MCB)	1
8	535130310	SCHRAUBE	Screw (10 mm)	2
9	576220201	VERKABELUNG KPL.	Loom, Buzzer Extension	1
10	588832701	VERKABELUNG KPL.	Loom, Display	1
11	588901201	VERKABELUNG KPL.	Loom, Loop and Lift Sensor	1
12	535130310	SCHRAUBE	Screw (10 mm)	1
13	592851901	PLATINE KPL.	PCB Sensor Board	1
14	574874704	DICHTUNGSSTREIFEN	Sealing Strip (1 pcs. diam. 4 mm)	1
15	574874703	DICHTUNGSSTREIFEN	Sealing Strip, Chassis (1 pcs. diam. 4 mm)	1
16	574373701	DICHTUNG	Sealing/Gasket, Motor Flange	2
17	535277601	VERKABELUNG KPL.	Loom, Li-Ion Battery	1
18	574501901	FÜHRUNGSSCHIENE	Guide Rail, Motor Bowl	2
19	574484601	SCHRAUBE	Height Adjustment Screw	1
20	575408201	SPERRE	Lock, Battery Plug	1
21	577103201	SICHERUNGSFEDER	Locking Spring	1
22	577846203	RAHMEN	Chassis Lower KIT, incl. Sealing	1
23	590740201	SCHRAUBE	Screw	2
24	534177601	VERKABELUNG KPL.	Loom, Charge Plate	1
25	575543314	SCHRAUBE	Screw, Grey (14 mm)	2
26	579708701	VERKABELUNG KPL.	Switch ON/OFF With Seal	1
27	574467202	GEHÄUSE	Housing, Rear Wheel	1
28	575543314	SCHRAUBE	Screw, Grey (14 mm)	3
29	583853902	HINTERRAD	Rear Wheel KIT	1
30	578275103	HINTERRAD	Rear Wheel KIT Complete	1
31	578275201	LAGERSATZ	Bearing (X2), Sealing (X2), O-Ring (X1)	1
32	577715001	LAGERGEHÄUSE	Bearing Housing, Rear Wheel	2
33	575543314	SCHRAUBE	Screw, Grey (14 mm)	4
34	574450101	SCHRAUBE	Screw	4
35	574467301	DECKEL	Cover, Battery	1
36	589586101	BATTERIE	Battery, Lithium 18 v	1
37	582386101	HALTER	Bracket	1
38	575543314	SCHRAUBE	Screw, Grey (14 mm)	1

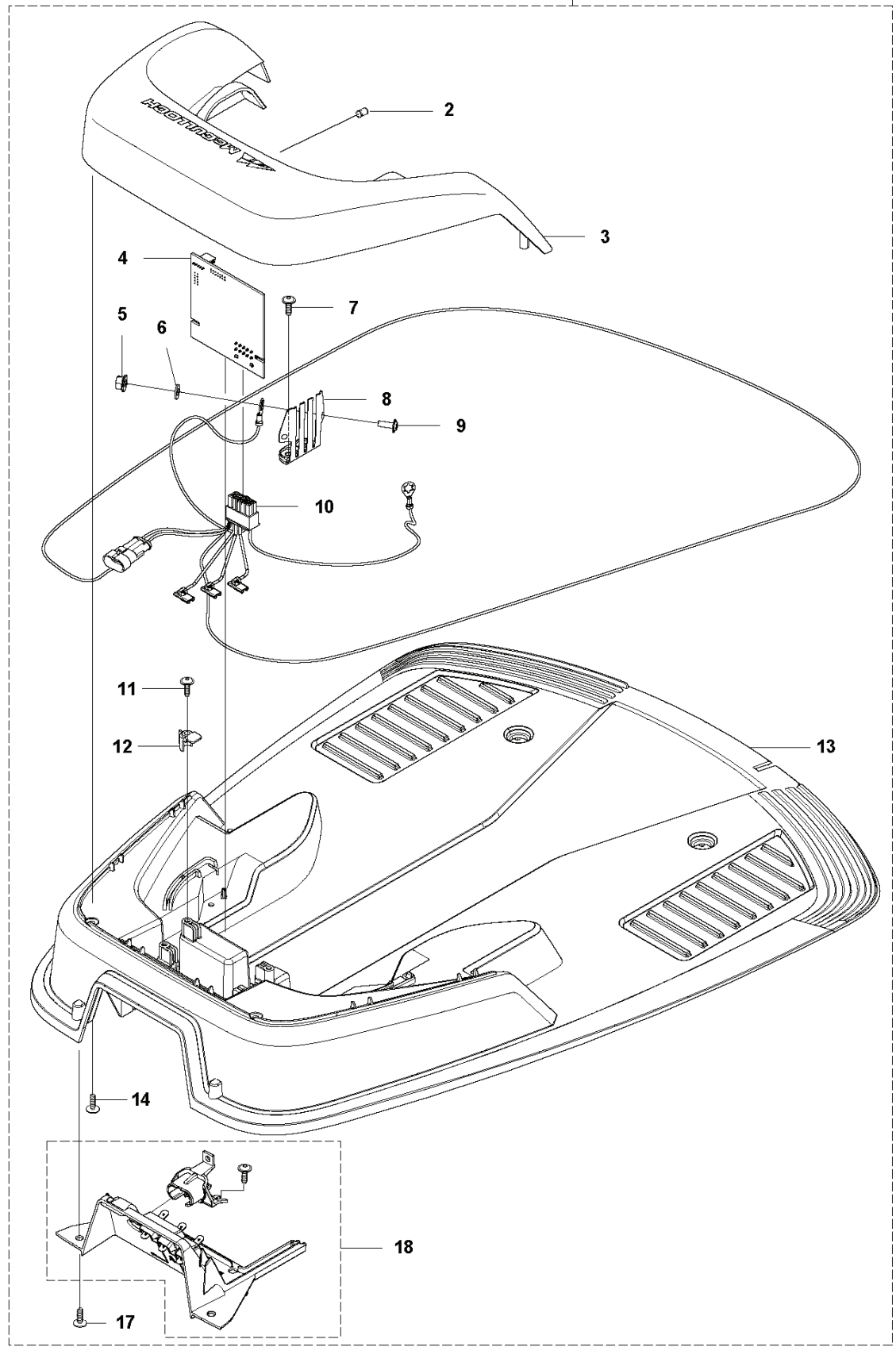
D McCULLOCH ROB R600/ROB R1000
BLADE MOTOR & CUTTING EQUIPMENT



PXM_REF	PXM_PARTNO	BESCHREIBUNG	PXM_REMARK	
1	584989302	CUTTER MOTOR	Cutting Motor	1
2	575543310	SCHRAUBE	Screw, Grey (10 mm)	1
3	574503501	HEIGHT INDICATOR	Height Indicator	1
4	581020301	MOTORGEHÄUSE	Motor Housing	1
5	588222201	SCHRAUBE	From 2018 Models, Screw	3
5	576213801	SCHRAUBE	For 2017 models	3
6	574373501	NABE	Hub, Cutting Motor	1
7	576213501	SCHRAUBE	Stop Screw	1
8	579758301	SCHUTZ	Guard, Cutting Disc	1
9	575543314	SCHRAUBE	Screw, Grey (14 mm)	3
10	574487101	TRENNSCHEIBE	Cutting Disc	1
11	577093201	SCHEIBE	Washer	1
12	588222201	SCHRAUBE	From 2018 Models, Screw	3
12	576213801	SCHRAUBE	For 2017 models	3

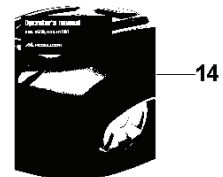
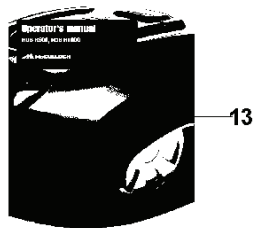
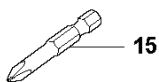
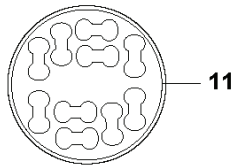
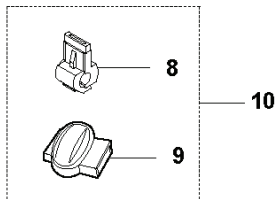
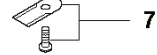
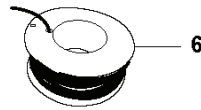
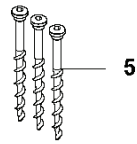
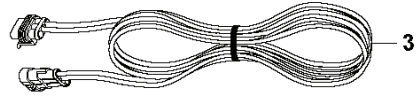
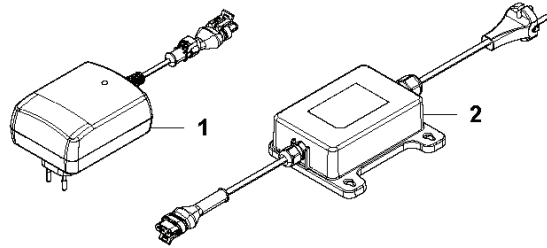
E McCULLOCH ROB R600/ROB R1000
CHARGING SYSTEM

1



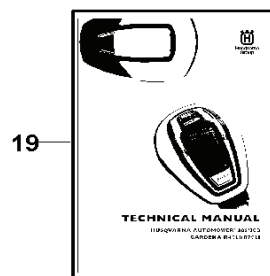
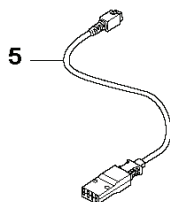
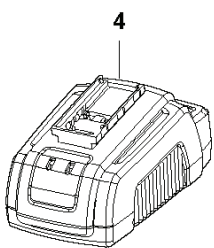
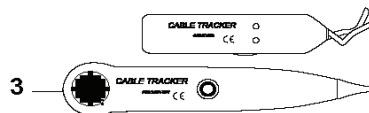
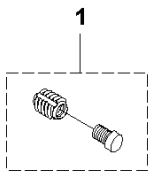
PXM_REF	PXM_PARTNO	BESCHREIBUNG	PXM_REMARK		
1	577972316	LADESTATION	Charging Station, McCulloch	1	
2	590217201	LINSE	Diode Lens	1	
3	501926001	DECKEL	Charging Station Cover, McCulloch	1	
4	592909401	PLATINE KPL.	Circuit Board, Charging Station	1	
5	588222101	HEXAGON NUT FLANGE	Nut Flange	2	
6	535087401	SCHEIBE	Washer	2	
7	575543314	SCHRAUBE	Screw, Grey (14 mm)	2	
8	587125101	KONTAKT	Contacts, Charging Station	2	
9	588222201	SCHRAUBE	Screw	2	
10	582381001	KABELSATZ	Loom, Charging Station	1	
11	575543314	SCHRAUBE	Screw, Grey (14 mm)	2	
12	535127901	HALTER	Bracket	2	
13	581551903	LADESTATION	Charging Station Base Plate	1	
14	575543314	SCHRAUBE	Screw, Grey (14 mm)	4	
17	575543314	SCHRAUBE	Screw, Grey (14 mm)	4	
18	582356401	PANEL ASSY	Guide Cover, Charging Station	1	

F McCULLOCH ROB R600/ROB R1000
INSTALLATION ACCESSORIES



PXM_REF	PXM_PARTNO	BESCHREIBUNG	PXM_REMARK	
1	593163601	POWER SUPPLY UNIT	Power Supply Unit, EU	1
2	590442203	POWER SUPPLY UNIT	Power Supply Unit, CH	1
2	590442204	ANTRIEBSEINHEIT	Power Supply Unit, CA	1
2	584862601	ANTRIEBSEINHEIT	EU	1
2	584862602	ANTRIEBSEINHEIT	Power Supply Unit, UK	1
2	584862605	ANTRIEBSEINHEIT	Power Supply Unit, AU-NZ	1
3	579825101	KABELSATZ	Low Voltage Cable (20 m)	1
3	579825102	KABELSATZ	Low Voltage Cable (10 m)	1
3	579825103	KABELSATZ	Low Voltage Cable (3 m)	1
3	579825104	KABELSATZ	Low Voltage Cable (5 m)	1
4	589402601	KLAMMER	Staples (100 pcs), McCulloch Blister Pack	1
5	575238602	SCREW KIT	Anchor Screw (3 pcs) incl. Allen Key	1
6	589402401	KABEL	Loop Wire (150 m), McCulloch Blister Pack	1
7	589402001	BLADE SET	Blades (9 pcs), McCulloch Blister Pack	1
8	535129001	KONTAKTSTÜCK	Loop Wire Connector (1pcs)	1
9	501980201	KUPPLUNG	Coupler (1pcs)	1
9	501980202	KUPPLUNG	Coupler KIT (50pcs)	1
10	589402501	KONTAKTSTÜCK	2 Connectors+6 Couplers.McCulloch Blister Pack	1
11	586277901	PLAKETTE	Sticker, Cable Markers (10 pcs)	1
12	589708401	AUFKLEBER	Label, Anti-Theft	1
13	115844901	BEDIENUNGSANWEISUNG	Operator's Manual, Swedish	1
13	115844911	BEDIENUNGSANWEISUNG	Operator's Manual, Finnish	1
13	115844906	BEDIENUNGSANWEISUNG	Operator's Manual, Danish	1
13	115844921	BEDIENUNGSANWEISUNG	Operator's Manual, Norwegian	1
13	115844936	BEDIENUNGSANWEISUNG	Operator's Manual, Dutch	1
13	115844931	BEDIENUNGSANWEISUNG	Operator's Manual, French	1
13	115844926	BEDIENUNGSANWEISUNG	Operator's Manual, English	1
13	115844951	BEDIENUNGSANWEISUNG	Operator's Manual, German	1
13	115844946	BEDIENUNGSANWEISUNG	Operator's Manual, Spanish	1
13	115844958	BEDIENUNGSANWEISUNG	Operator's Manual, Hungarian	1
13	115844941	BEDIENUNGSANWEISUNG	Operator's Manual, Italian	1
13	115844961	BEDIENUNGSANWEISUNG	Operator's Manual, Polish	1
13	115844959	BEDIENUNGSANWEISUNG	Operator's Manual, Portuguese	1
13	115844964	BEDIENUNGSANWEISUNG	Operator's Manual, Latvian	1
13	115844963	BEDIENUNGSANWEISUNG	Operator's Manual, Estonian	1
13	115844990	BEDIENUNGSANWEISUNG	Operator's Manual, Czech	1
13	115844965	BEDIENUNGSANWEISUNG	Operator's Manual, Lithuanian	1
13	115844968	BEDIENUNGSANWEISUNG	Operator's Manual, Slovakian	1
14	115844210	QUICK GUIDE	Quick Guide SE/NO/DK/FI	1
14	115844230	QUICK GUIDE	Quick Guide ES/PT/IT/EN	1
14	115844220	QUICK GUIDE	Quick Guide DE/FR/NL/SI	1
14	115844239	QUICK GUIDE	Quick Guide DE/FR/IT/EN	1
14	115844240	QUICK GUIDE	Quick Guide RU/EE/LV/LT	1
14	115844250	QUICK GUIDE	Quick Guide CZ/SK/PL/HU	1
15	596339801	WERKZEUG	Bit for Automower blades MOQ 5 pcs	1

**G McCULLOCH ROB R600/ROB R1000
ACCESSORIES**



PXM_REF	PXM_PARTNO	BESCHREIBUNG	PXM_REMARK		
1	581165701	GEWINDEINSATZ	Metal Insert Repair KIT (4 pcs)	1	
2	580689502	AUFKLEBER	Warranty Seal 1pcs	1	
3	577606801	TESTAUSRÜSTUNG	Loop Wire Interruption Detector	1	
4	588408401	BATTERIELADEGERÄT	Quick Charger with Battery Test	1	
5	588202601	KABELSATZ	Cable Quick Charger	1	
19	115445001	WERKSTATTHANDBUCH	TECHNICAL MANUAL, Swedish	1	
19	115445036	WERKSTATTHANDBUCH	TECHNICAL MANUAL, Dutch	1	
19	115445011	WERKSTATTHANDBUCH	TECHNICAL MANUAL, Finnish	1	
19	115445026	WERKSTATTHANDBUCH	TECHNICAL MANUAL, English	1	
19	115445006	WERKSTATTHANDBUCH	TECHNICAL MANUAL, Danish	1	
19	115445031	WERKSTATTHANDBUCH	TECHNICAL MANUAL, French	1	
19	115445041	WERKSTATTHANDBUCH	TECHNICAL MANUAL, Italian	1	
19	115445051	WERKSTATTHANDBUCH	TECHNICAL MANUAL, German	1	
19	115445021	WERKSTATTHANDBUCH	TECHNICAL MANUAL, Norwegian	1	
19	115445046	WERKSTATTHANDBUCH	TECHNICAL MANUAL, Spanish	1	
19	115445058	WERKSTATTHANDBUCH	TECHNICAL MANUAL, Hungarian	1	
19	115445056	WERKSTATTHANDBUCH	TECHNICAL MANUAL, Russian	1	
19	115445061	WERKSTATTHANDBUCH	TECHNICAL MANUAL, Polish	1	
19	115445064	WERKSTATTHANDBUCH	TECHNICAL MANUAL, Latvian	1	
19	115445063	WERKSTATTHANDBUCH	TECHNICAL MANUAL, Estonian	1	
19	115445062	WERKSTATTHANDBUCH	TECHNICAL MANUAL, Romanian	1	
19	115445065	WERKSTATTHANDBUCH	TECHNICAL MANUAL, Lithuanian	1	
19	115445071	WERKSTATTHANDBUCH	TECHNICAL MANUAL, Greek	1	
19	115445090	WERKSTATTHANDBUCH	TECHNICAL MANUAL, Czech	1	
19	115445081	WERKSTATTHANDBUCH	TECHNICAL MANUAL, Croatian	1	
19	115445076	WERKSTATTHANDBUCH	TECHNICAL MANUAL, Turkish	1	