

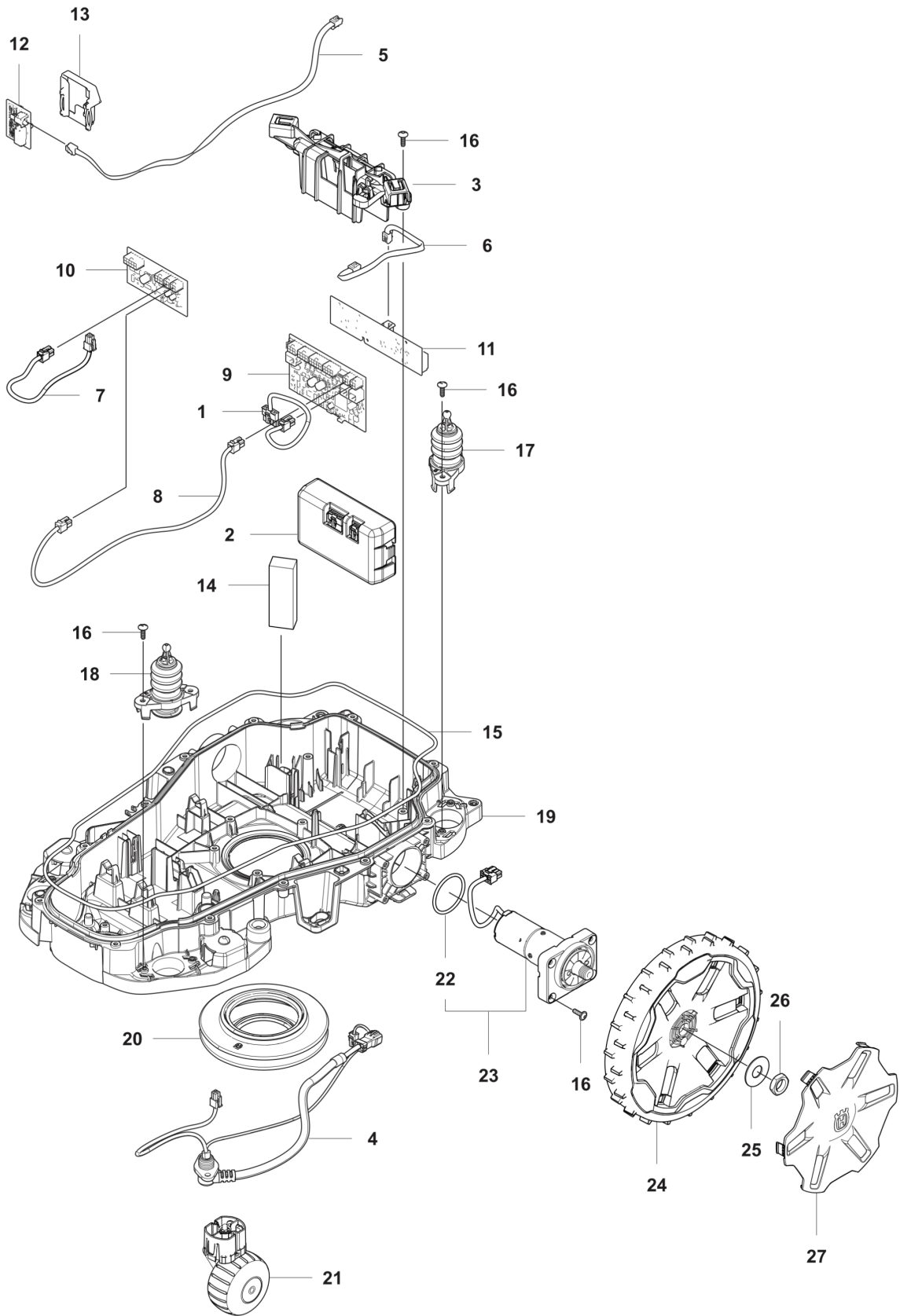
**SPARE PARTS CATALOGUE**  
**: HUSQVARNA AUTOMOWER® 310E NERA**

Spare Parts List

---

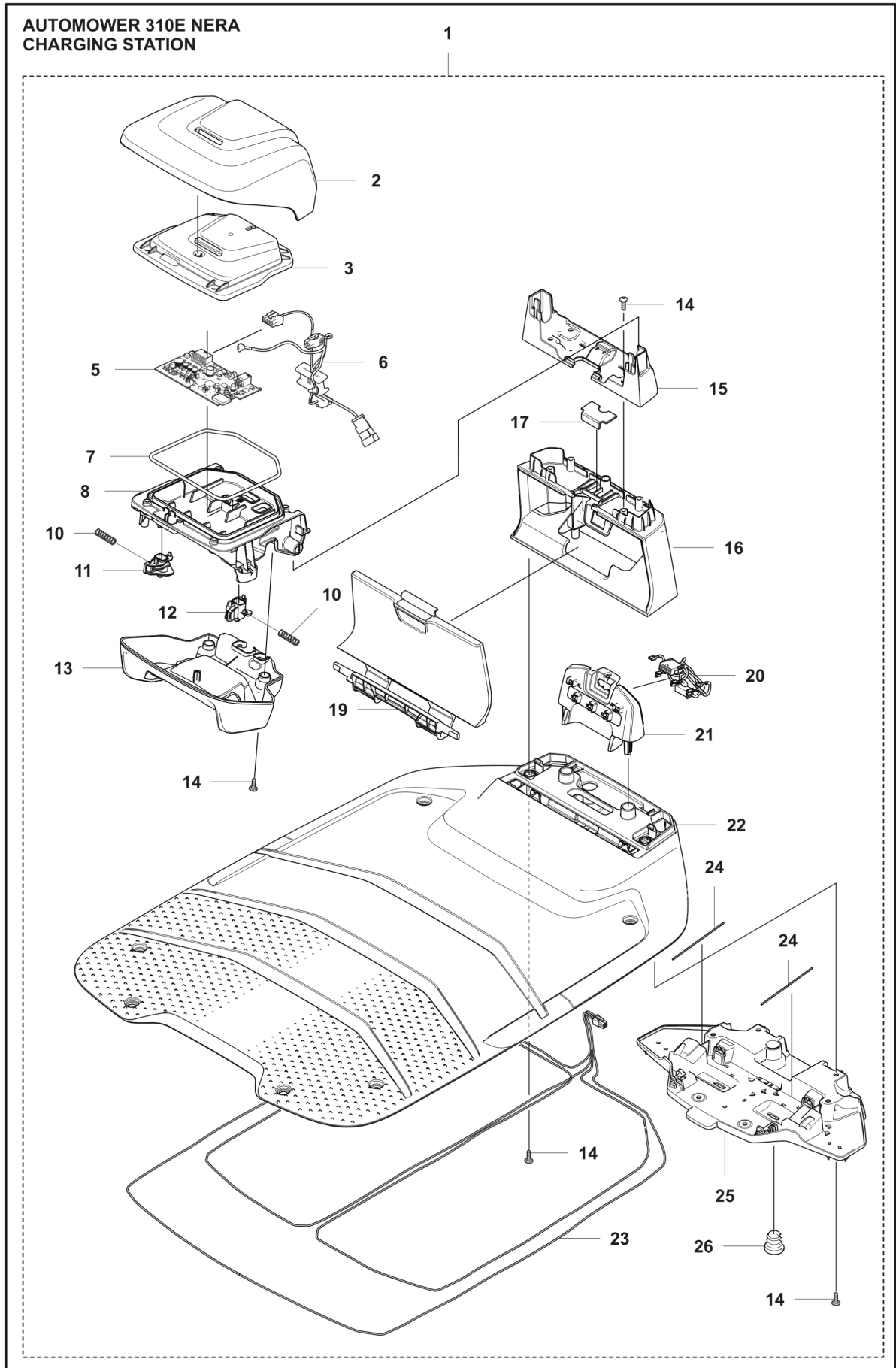
# **SPARE PARTS LIST**

**AUTOMOWER 310E NERA  
CHASSIS LOWER**



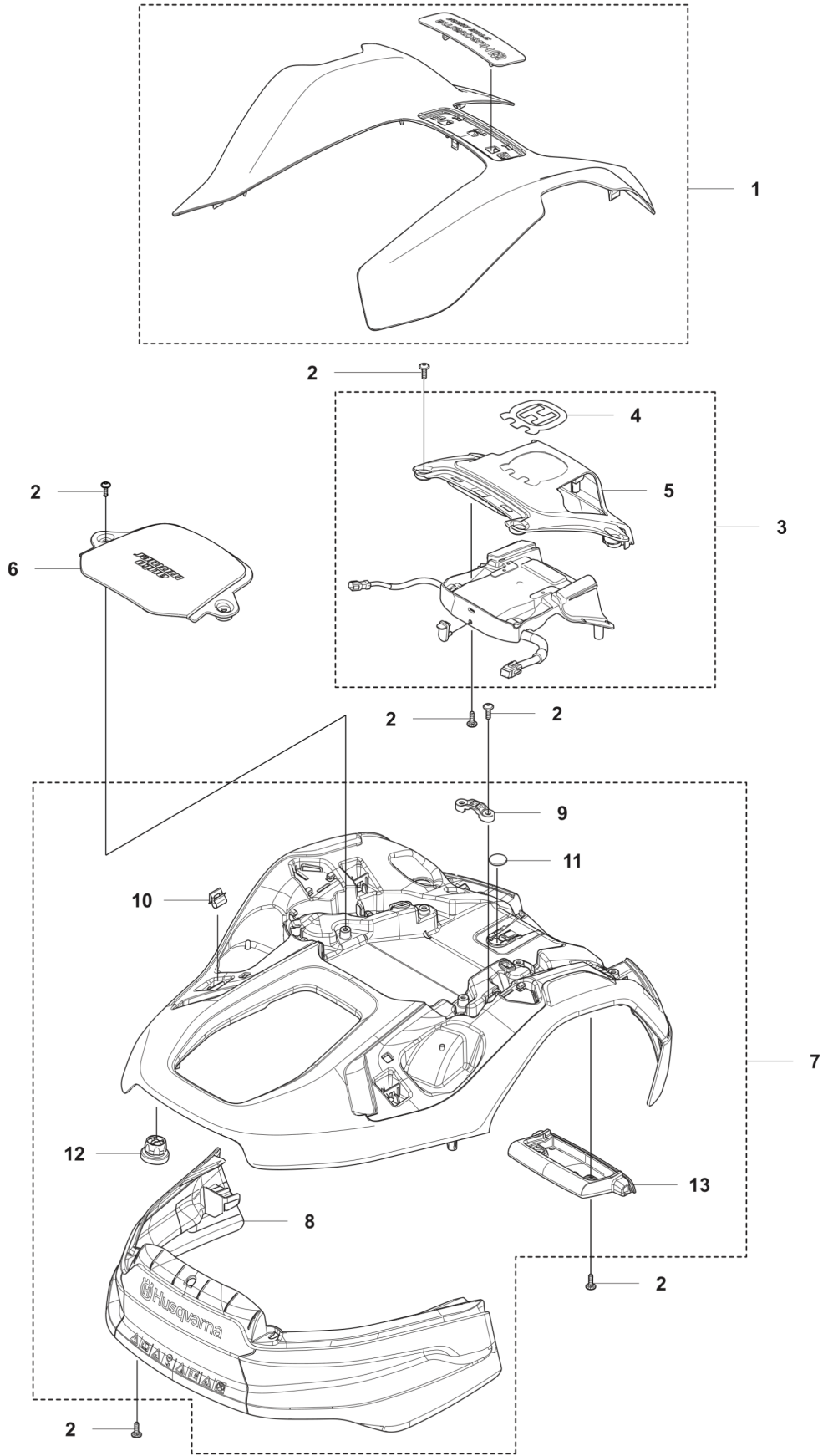
PXM_REF	PXM_PARTNO	BESCHREIBUNG	PXM_REMARK	
1	535280504	VERKABELUNG KPL.	Wiring assy battery	1
2	529452002	BATTERIE		1
3	536970901	HALTER		1
4	546333601	VERKABELUNG KPL.	Main Cable	1
5	536253905	VERKABELUNG KPL.	Wiring assy loop sensor rear	1
6	536253908	VERKABELUNG KPL.	Wiring assy loop sensor front	1
7	591203105	VERKABELUNG KPL.	Wiring assy application board	1
8	591203104	VERKABELUNG KPL.	Wiring assy motor control	1
9	591125602	PLATINE KPL.	Motor contol circuit board rear	1
10	536657701	PLATINE KPL.	Motor contol circuit board front	1
11	591125703	PLATINE KPL.	Loop sensor circuit board front	1
12	536657101	PLATINE KPL.	Loop sensor circuit board rear	1
13	538641201	RAHMEN	Holder loop sensor circuit board	1
14	598503604	GEWICHT		2
15	574874709	DICHTUNGSTREIFEN		1
16	574450101	SCHRAUBE		20
17	531281301	JOYSTICK ASSY	Joystick lift & collision front	2
18	531281201	JOYSTICK ASSY	Joystick collision rear	2
19	536970801	RAHMEN	Chassis lower	1
20	599318301	BALG		1
21	589300802	RAD KPL.	Rear wheel	2
22	580443902	O-RING		2
23	599683402	RAD MOTOR	Wheel motor	2
24	538816501	RAD KPL.	Front wheel	2
25	586210601	SCHEIBE		1
26	731432401	SECHSKANT-FLACHMUTTER		2
27	531380501	RADKAPPE		2

**AUTOMOWER 310E NERA  
CHARGING STATION**



PXM_REF	PXM_PARTNO	BESCHREIBUNG	PXM_REMARK	
1	531422302	LADESTATION		1
2	531422502	HUT	Upper Cover	1
3	531422902	DECKEL		1
5	529899501	PLATINE KPL	Charging station circuit board	1
6	536055201	VERKABELUNG KPL	Wiring Assy CS Main	1
7	574874708	DICHTUNGSSTREIFEN		1
8	531423002	RAHMEN		1
10	535130101	FEDER		2
11	531422601	KLAPPE	Contact Plate Left	1
12	531422602	KLAPPE	Contact Plate Right	1
13	531422701	HUELLE	Lower Cover	1
14	574450101	SCHRAUBE		12
15	535558602	STÜTZE		1
16	531422401	GEHÄUSE		1
17	536177201	DECKEL		1
19	531422801	LUKE		1
20	535600701	VERKABELUNG KPL	Wiring Assy Antenna bridge	1
21	535600601	GEHÄUSE	Cable Holder	1
22	531423101	BASEPLATE	Charging Station Baseplate	1
23	536166001	VERKABELUNG KPL	Wiring Assy Baseplate	1
24	588470201	FEDER		2
25	535600501	ANKERPLATTE	Baseplate Support	1
26	531262701	STOPFEN		1

**AUTOMOWER 310E NERA  
COVER**

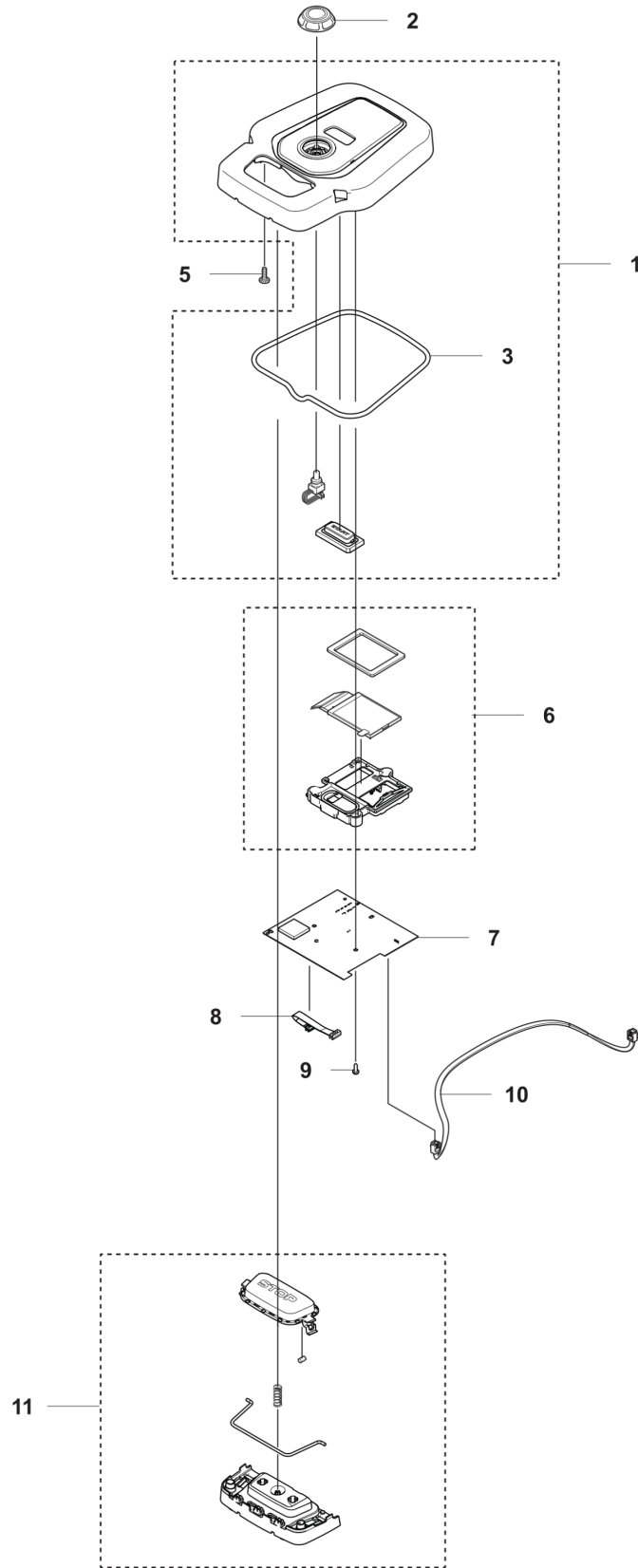


---

PXM_REF	PXM_PARTNO	BESCHREIBUNG	PXM_REMARK		
1	538893301	COVER ASSY	Top cover kit	1	
2	574450101	SCHRAUBE		18	
3	546525501	ABDECKUNGSSATZ	Nose module kit	1	
4	587423502	Folie	Husqvarna crown	1	
5	536997901	GEHAUSE	Nose cover	1	
6	536997801	SCHALTBRETT	Accessory cover	1	
7	546521801	BODY KIT		1	
8	536997401	STOSSFÄNGER	Rear bumper	1	
9	593355202	KLEMME		1	
10	593778401	KLAMMER		6	
11	593822101	MAGNET		1	
12	546632301	GETRIEBE	Snaploc	4	
13	538904301	EINSTELLHEBEL		1	



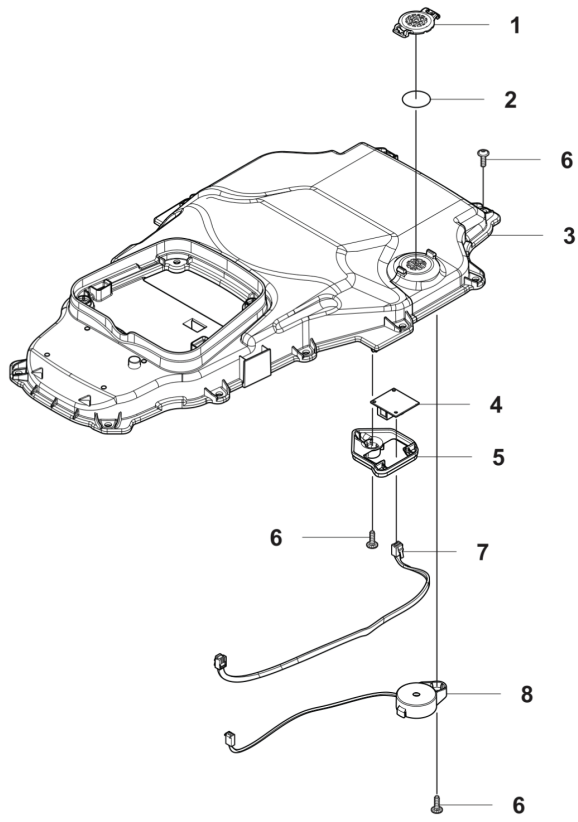
**AUTOMOWER 310E NERA  
CONSOLE**



---

PXM_REF	PXM_PARTNO	BESCHREIBUNG	PXM_REMARK	
1	538876601	ABDECKUNGSSATZ		1
2	531375901	KNOPF	Jog Wheel	1
3	599911803	DICHTUNG	Sealing strip	1
5	574450101	SCHRAUBE	Screw	4
6	538822401	DISPLAY KIT		1
7	599702701	PLATINE KPL	Application circuit board	1
8	535588201	VERKABELUNG KPL	Wiring assy Start Button	1
9	525887402	SCREW CITXPANT		3
10	589350805	VERKABELUNG KPL	Wiring Assy Magnetic sensor	1
11	531376301	BUTTON ASSY	Stop Button kit	1

**AUTOMOWER 310E NERA  
CHASSIS UPPER**

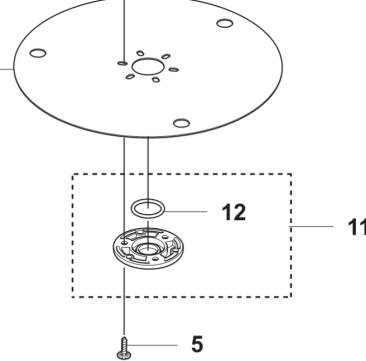
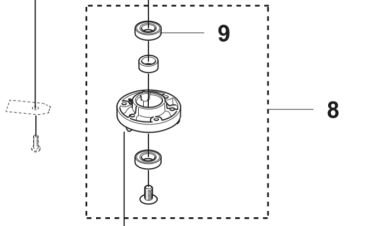
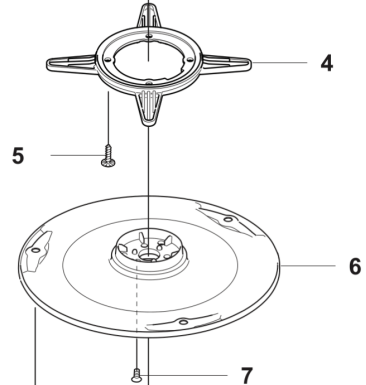
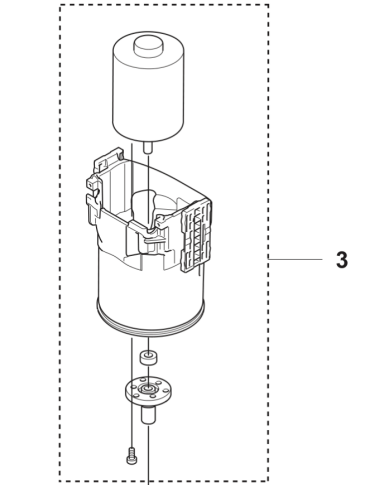
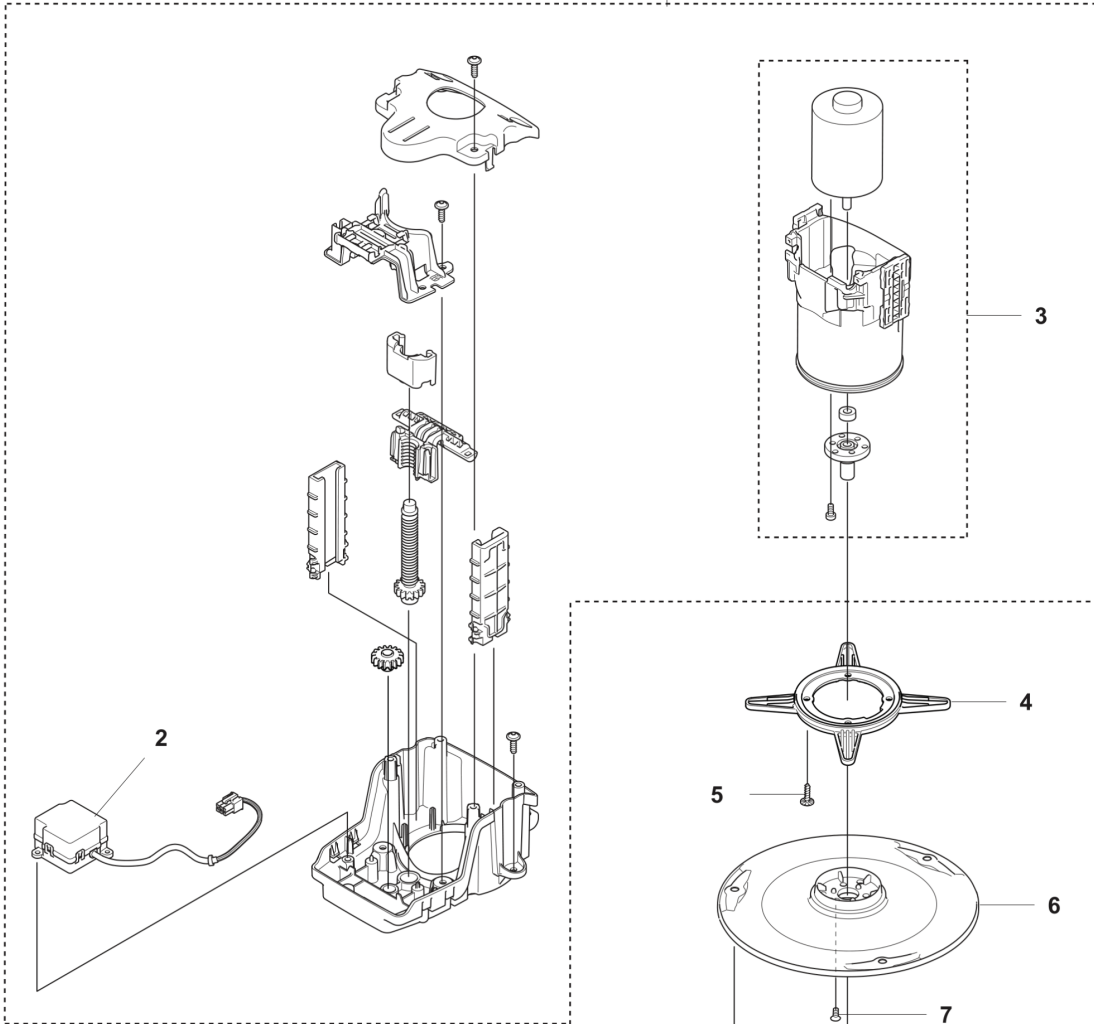


---

PXM_REF	PXM_PARTNO	BESCHREIBUNG	PXM_REMARK		
1	586038902	DECKEL	Cover air filter	1	
2	577753701	FILTER	Air filter	1	
3	536969901	RAHMEN	Chassis upper	1	
4	591125501	PLATINE KPL.	Magnetic sensor circuit board	1	
5	535563901	GRIFF	Holder magnetic sensor circuit board	1	
6	574450101	SCHRAUBE		14	
7	536253911	VERKABELUNG KPL.	Wiring Assy Magnetic sensor	1	
8	531351802	VERKABELUNG KPL.	Buzzer	1	

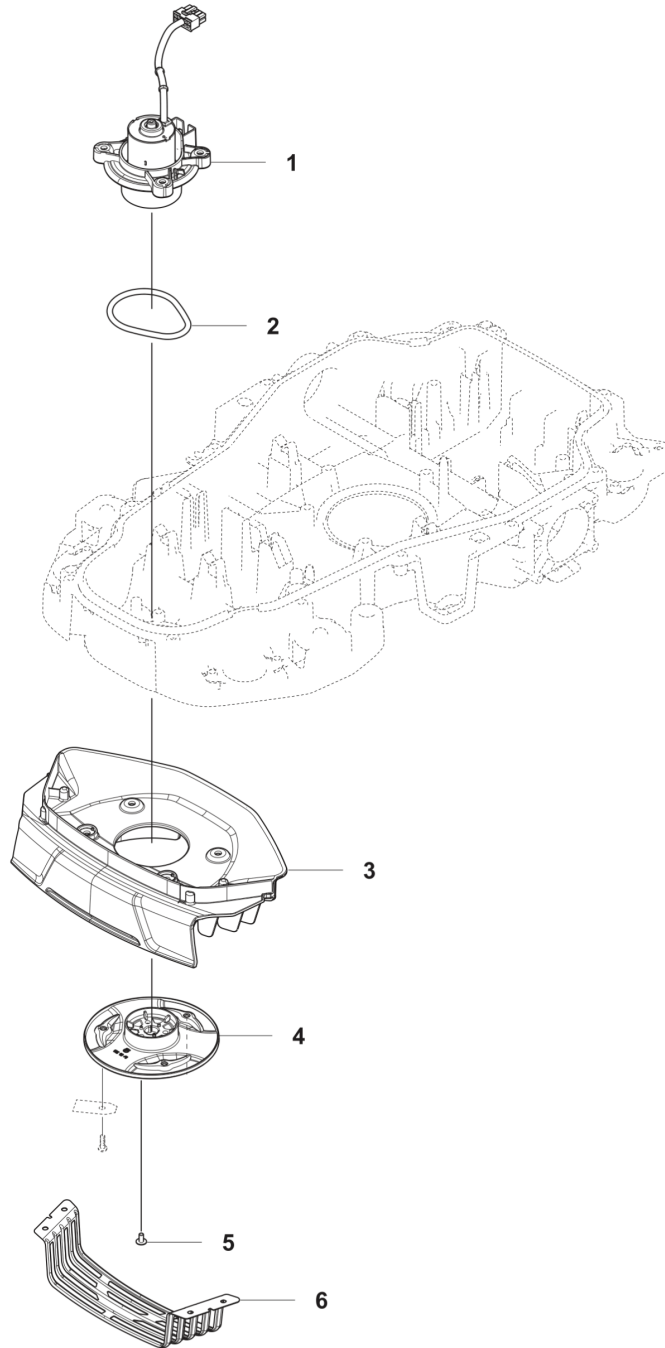
**AUTOMOWER 310E NERA  
BLADE MOTOR & CUTTING EQUIPMENT**

1



PXM_REF	PXM_PARTNO	BESCHREIBUNG	PXM_REMARK		
1	546838901	CUTTING MODULE	Cutting module	1	
2	592735803	HEIGHT ADJUSTMENT MOTOR	Cutting height adjustment motor	1	
3	599428301	CUTTER MOTOR ASSY	Cutting motor front	1	
4	599318201	RAHMEN		1	
5	575543314	SCHRAUBE		3	
6	531177401	TRENNSCHEIBE	Blade disc	1	
7	590508701	SCHRAUBE		3	
8	588421702	LAGERGEHÄUSE KPL.		1	
9	535075703	KUGELLAGER		2	
9	593080801	KUGELLAGER	Tube 50 pcs	2	
10	598794801	GLEITPLATTE		1	
11	587449601	ABDECKUNGSSATZ	Bearing cover	1	
12	585297501	O-RING		1	

**AUTOMOWER 310E NERA  
BLADE MOTOR AND CUTTING EQUIPMENT**

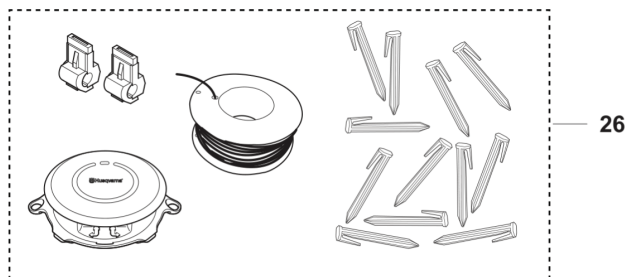
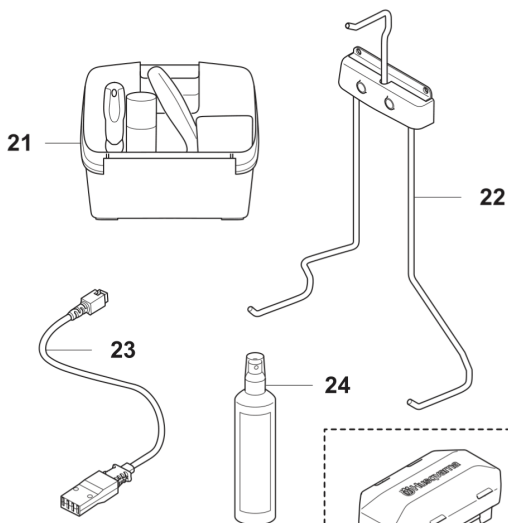
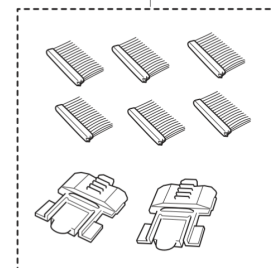
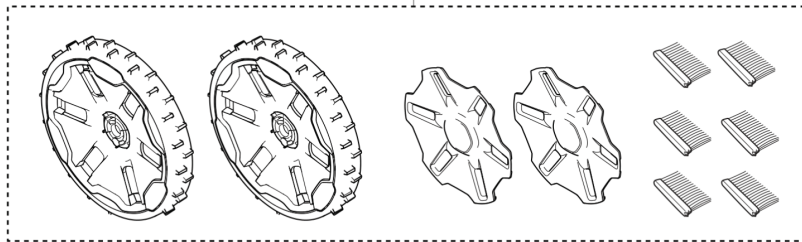
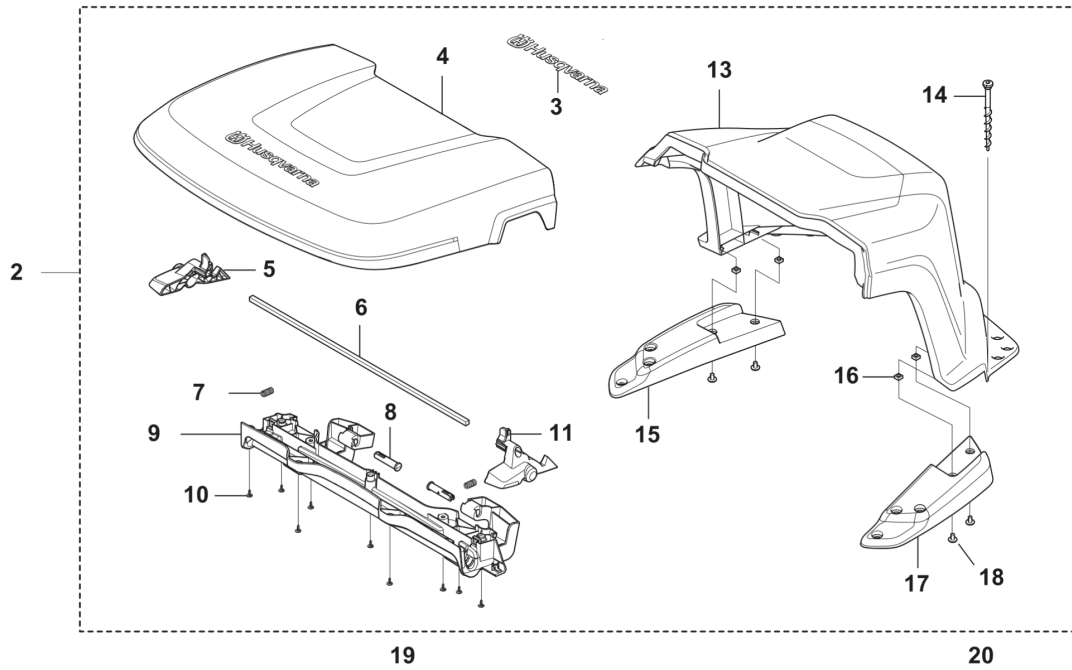


---

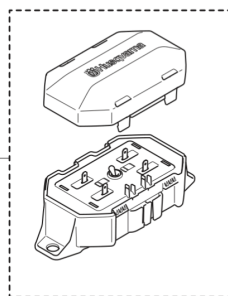
PXM_REF	PXM_PARTNO	BESCHREIBUNG	PXM_REMARK		
1	546035801	CUTTER MOTOR ASSY	Cutting motor rear	1	
2	529516301	DICHTUNG		1	
3	536983801	SCHUTZ	Blade disc guard	1	
4	536984301	TRENNSCHEIBE		1	
5	590508701	SCHRAUBE		3	
6	536984001	SCHIRM	Blade disc guard	1	



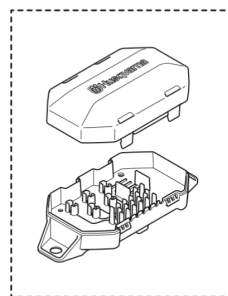
**AUTOMOWER 310E  
ACCESSORIES**



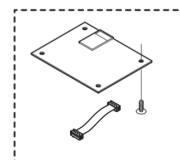
25



27



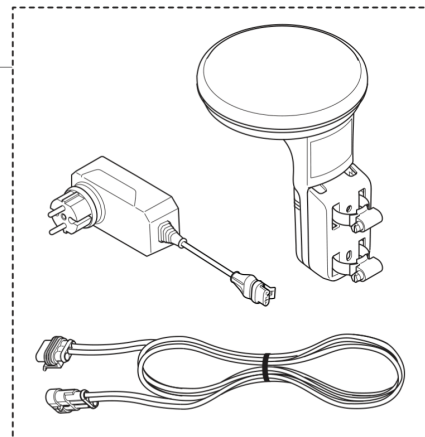
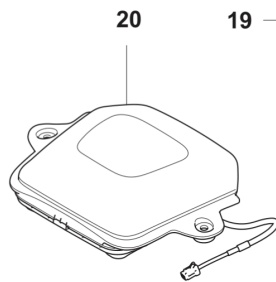
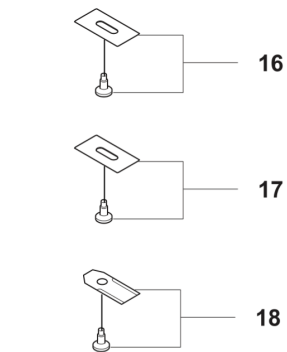
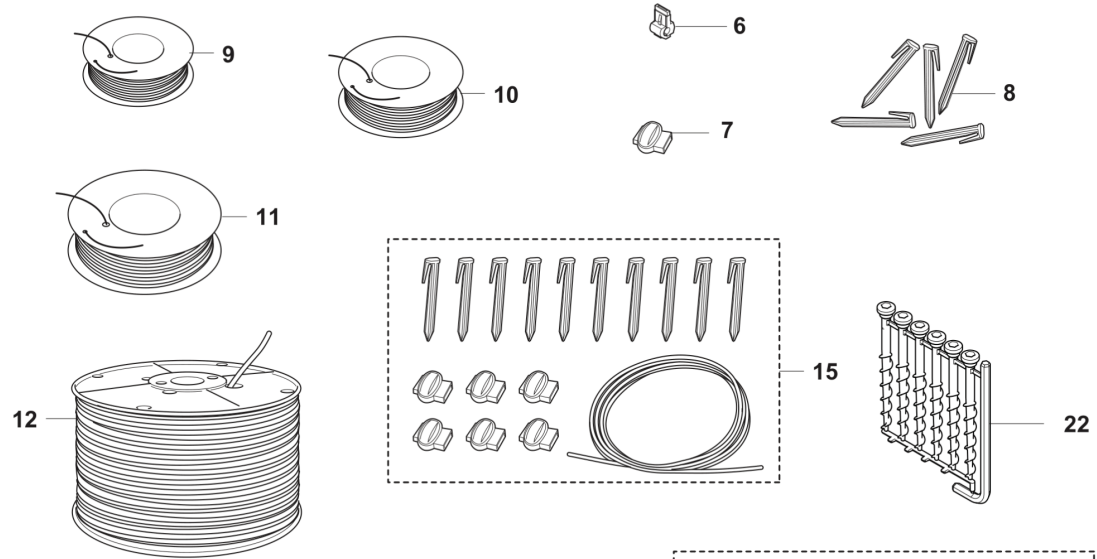
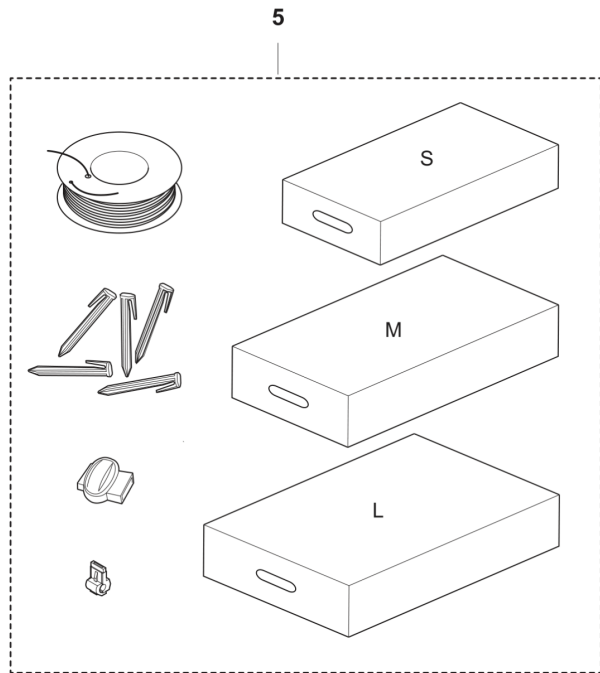
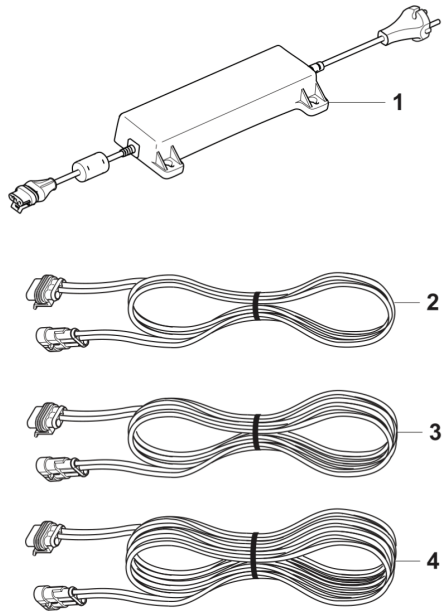
28



29

PXM_REF	PXM_PARTNO	BESCHREIBUNG	PXM_REMARK		
2	536664101	GEHÄUSE	Automower House	1	
3	577469001	Folie		1	
4	586885802	DECKEL	Kit	1	
5	585324002	EINSTELLHEBEL		1	
6	585324101	STANGE		1	
7	580511401	FEDER		1	
8	585341501	ACHSE		1	
9	585341601	BALKEN		1	
10	575543314	SCHRAUBE		1	
11	585324001	EINSTELLHEBEL		1	
12	585323602	LUKE		1	
13	536797201	GEHÄUSE	Cover	1	
14	597435801	SCHRAUBE	Screw kit	1	
15	585323802	STÜTZE		1	
16	503226601	MÜTTER 4-KANT		1	
17	585323801	STÜTZE		1	
18	535129303	SCHRAUBE		1	
19	536849202	WHEEL KIT	Terrain kit	1	
20	505132803	BÜRSTENSATZ	Wheel Brush refill kit	1	
21	590855101	CLEANING KIT	Maintenance and Cleaning kit	1	
22	536849302	WALL HANGER		1	
23	598013102	VERKABELUNG KPL.	Battery tester cable	1	
24	593967901	SPRAY	Care and Shine Spray	1	
25	580689502	AUFKLEBER	Warranty seal	1	
26	529880501	SATZ	FlexiFence	1	
27	529459701	SATZ	Automower Area Switch	1	
28	599801701	KISTE	Connector protection box	1	
29	586662313	GPS MODULE	Connect Module	1	

**AUTOMOWER 310E NERA  
INSTALLATION ACCESSORIES**



PXM_REF	PXM_PARTNO	BESCHREIBUNG	PXM_REMARK	
1	599628501	ANTRIEBSEINHEIT	EU	1
1	599628502	ANTRIEBSEINHEIT	GB,IE	1
1	599628503	ANTRIEBSEINHEIT	CH	1
1	599628505	ANTRIEBSEINHEIT	AUS/NZ	1
1	599628504	ANTRIEBSEINHEIT	US/CA	1
2	579825103	KABELSATZ	Low Voltage Cable 3 m	1
3	579825104	KABELSATZ	Low Voltage Cable 5 m	1
4	579825101	KABELSATZ	Low Voltage Cable 20 m	1
4	579825102	KABELSATZ	Low Voltage Cable 10 m	1
5	967972101	INSTALLATION KIT	S Wire 150 m, Staples 300 pc, Connectors 3 pcs, Couplers 5 pcs	1
5	967972201	INSTALLATION KIT	M Wire 250 m, Staples 400 pc, Connectors 3 pcs, Couplers 5 pcs	1
5	967972301	INSTALLATION KIT	L Wire 400 m, Staples 600 pc, Connectors 5 pcs, Couplers 5 pcs	1
6	535129002	KONTAKTSTÜCK	Loop Wire Connector, Blister Pack 100 pcs	1
6	577864801	KONTAKTSTÜCK	Loop Wire Connector	1
7	501980203	KUPPLUNG	Coupler, 100 pcs	1
7	577864701	KUPPLUNG	Coupler	1
8	577864201	KLAMMER	100 pcs	1
9	597237802	KABEL	Wire, 50m	1
10	597237801	KABEL	Wire, 150m	1
11	580662006	KABEL	Wire, 250m	1
12	593297702	KABEL	Wire, 300m	1
12	580662009	KABEL	Wire, 800m	1
12	522914102	KABEL	Wire, 500m	1
15	597539501	KABEL	Boundary wire repair kit	1
16	595084401	BLADE SET	Endurance Blade, 6 pcs	1
16	595084402	BLADE SET	Endurance Blade, 45 pcs	1
16	595084403	BLADE SET	Endurance Blade, 300 pcs	1
17	599805201	BLADE SET	Endurance HSS Blades 6 pcs	1
17	599805202	BLADE SET	Endurance HSS Blades 45 pcs	1
17	599805203	BLADE SET	Endurance HSS Blades 300 pcs	1
18	577864603	BLADE SET	Blades 9 pcs incl. Screws	1
18	577606505	BLADE SET	Blades 45 pcs incl. Screws	1
18	577606604	BLADE SET	Blades 300 pcs incl. Screws	1
18	599805301	BLADE SET	Blades 45 pcs	1
18	599805302	BLADE SET	Blades 300 pcs	1
19	970663303	REFERENCE STATION	GB,IE	1
19	970663304	REFERENCE STATION	CH	1
19	970663301	REFERENCE STATION	EU	1
20	970663201	EPOS MODULE		1
22	597435801	SCHRAUBE	Anchor screws, 6pcs	1