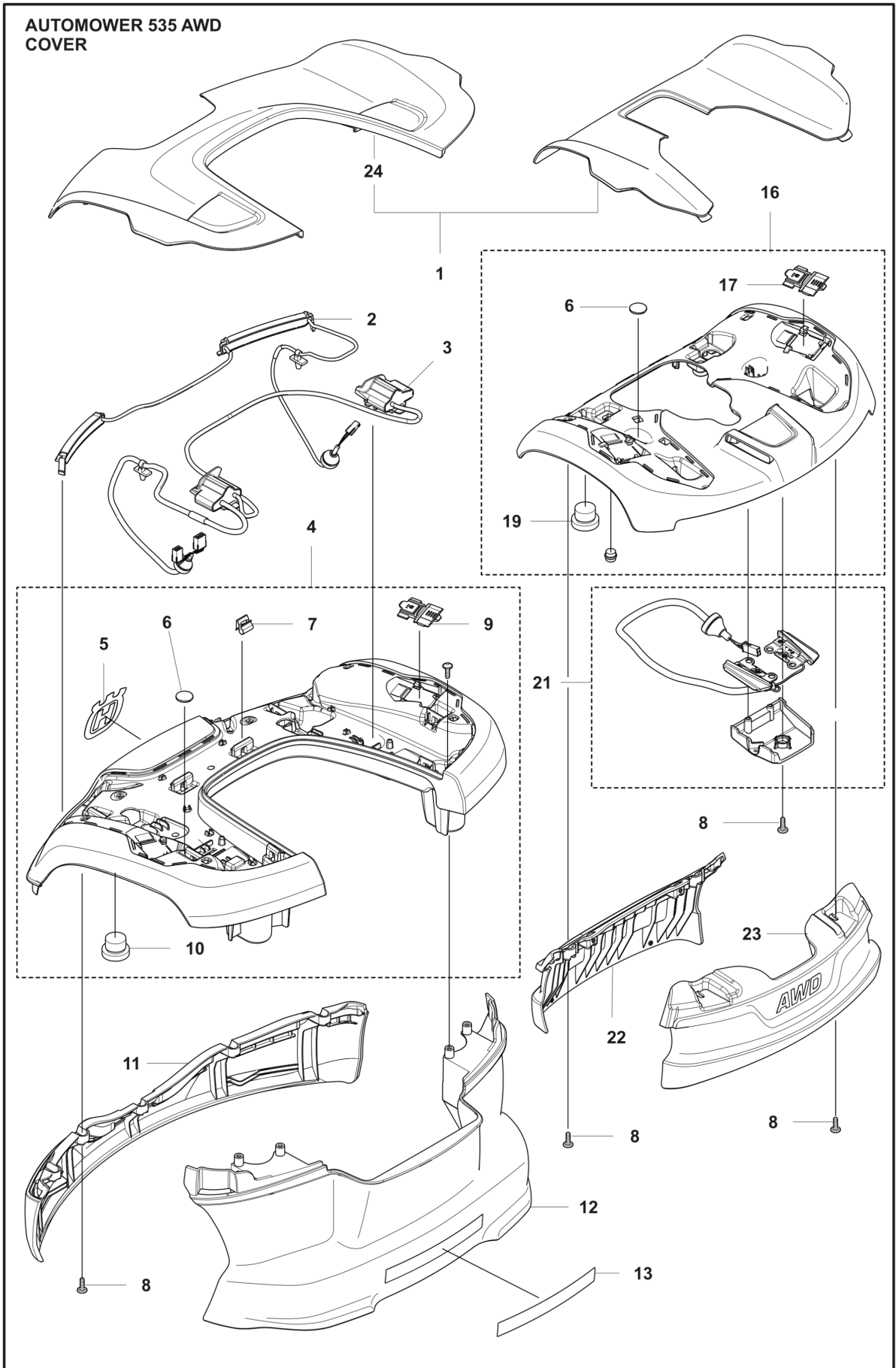


SPARE PARTS CATALOGUE
: HUSQVARNA AUTOMOWER® 535 AWD

Spare Parts List

SPARE PARTS LIST

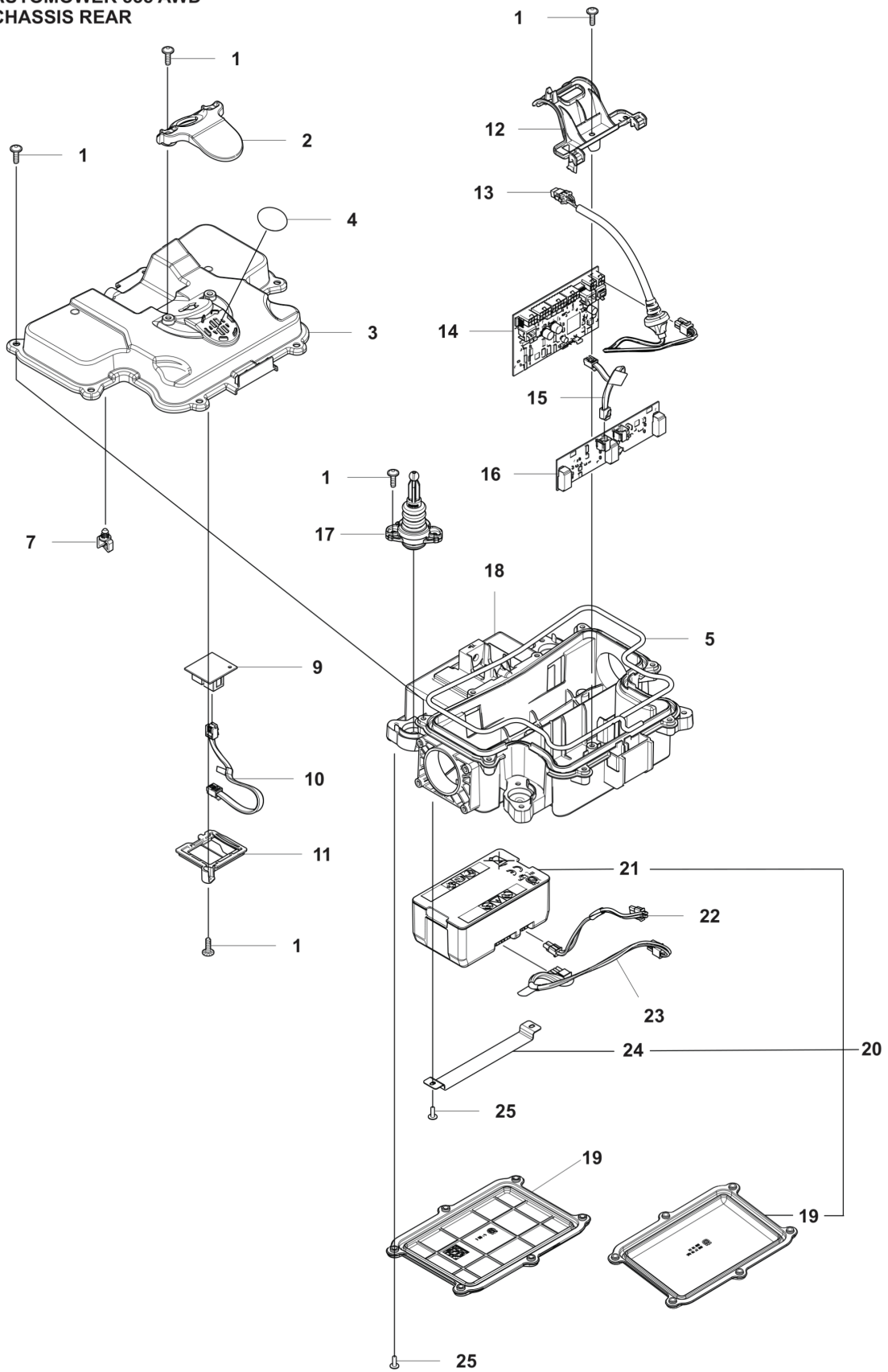
**AUTOMOWER 535 AWD
COVER**



PXM_REF	PXM_PARTNO	BESCHREIBUNG	PXM_REMARK		
1	596300001	BODY KIT	Top Cover Grey, From S/N 231010545	1	
1	596300201	BODY KIT	Top Cover Grey, Up to S/N 231010544	1	
1	596300003	BODY KIT	Top Cover Orange, From S/N 231010545	1	
1	596300202	BODY KIT	Top Cover Orange, Up to S/N 231010544	1	
2	597501402	VERKABELUNG KPL.	LED light, From S/N 231010545	1	
3	588596704	VERKABELUNG KPL.	US Sensor	1	
4	597161801	BODY ASSY	Front	1	
5	587423502	Folie	Husqvarna Crown	1	
6	593822101	MAGNET	Magnet	1	
7	593778401	KLAMMER	Body connection	1	
8	574450101	SCHRAUBE		10	
9	591494601	GRIFF	Wheel Brusch	1	
10	580526801	HUT	Snaploc	1	
11	591467401	STOSSFÄNGER	Front	1	
12	591467501	STOSSFÄNGER	Front tail	1	
13	586359701	AUFKLEBER	Warning	1	
16	597161901	BODY ASSY	Rear	1	
17	591494601	GRIFF	Wheel Brusch	1	
19	580526801	HUT	Snaploc	1	
21	597165601	CHARGING PLATE KIT		1	
22	591467801	STOSSFÄNGER	Rear Head	1	
23	591467901	STOSSFÄNGER	Rear Tail	1	
24	591467203	DECKEL	Front cover	1	

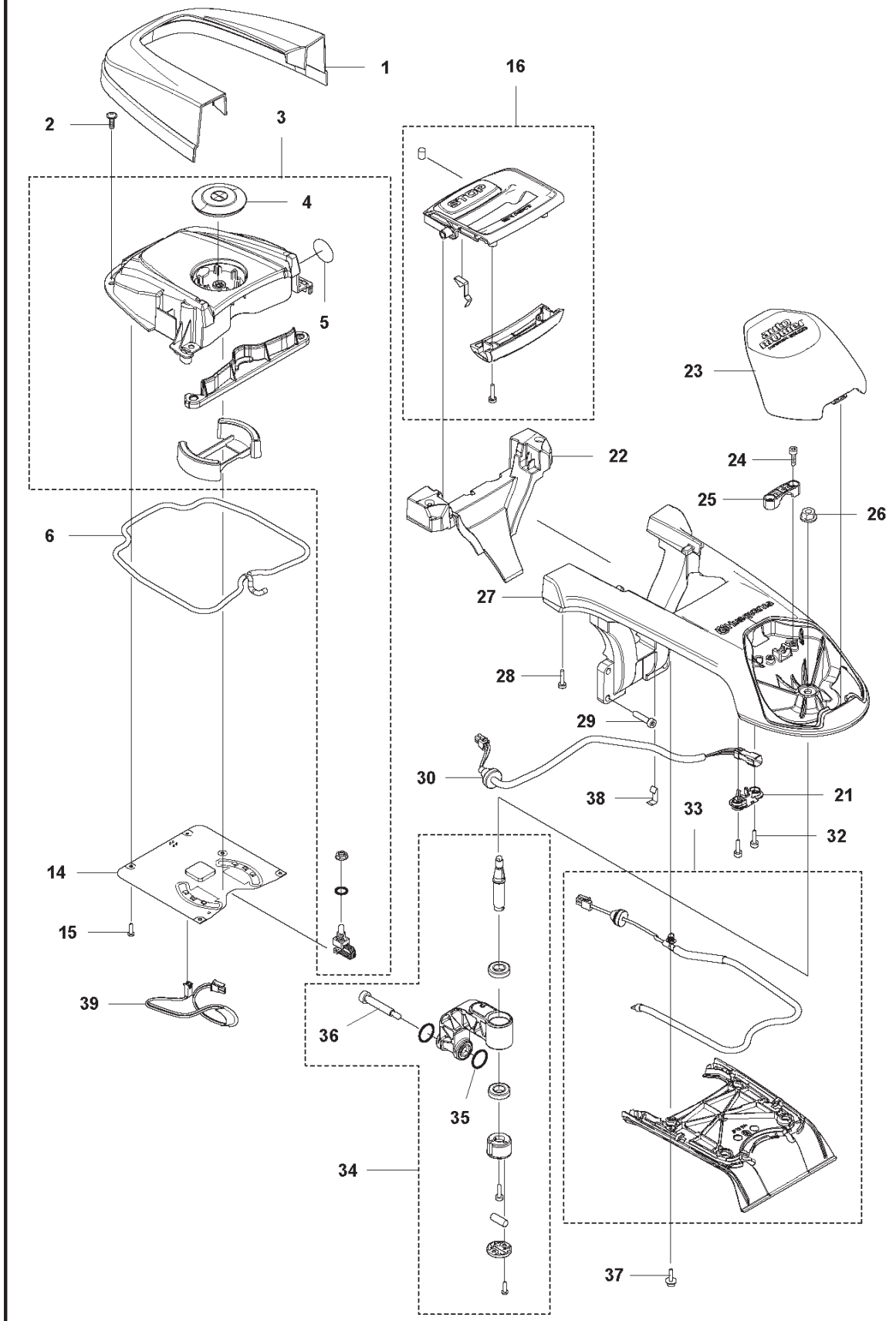
PXM_REF	PXM_PARTNO	BESCHREIBUNG	PXM_REMARK	
1	592743401	RAHMEN	Upper front	1
2	574874714	DICHTUNGSSSTREIFEN	Chassis Upper Front	1
3	575543314	SCHRAUBE		4
5	580682901	TOOL HOLDER	Twist lock	11
6	591125501	PLATINE KPL	Magnetic Sensor	2
7	586662311	GPS MODULE	AM Connect, KIT, US,CA	1
7	586662313	GPS MODULE	AM Connect Kit	1
10	592743701	GRIFF	PCB front	1
11	536253908	VERKABELUNG KPL	Modular Jack	1
12	591125704	PLATINE KPL	Loop Receiver Board	1
13	580614402	VERKABELUNG KPL	Ultra Sonic Extension	1
14	579708602	VERKABELUNG KPL	AUX	1
15	578285703	PLATINE KPL	Ultra Sonic Board	1
16	591203103	VERKABELUNG KPL	HMI Cable 4P	1
17	591203301	VERKABELUNG KPL	Main Cable Adapter 4P	1
18	588818403	VERKABELUNG KPL	Led Light Extension. From S/N 231010545	1
19	591125601	PLATINE KPL	Motor Controler Board	1
20	592736301	STEUERHEBEL	Assy	4
21	592743601	RAHMEN	Lower front	1
22	574874712	DICHTUNGSSSTREIFEN	Chassis Lower Front	1
23	584897501	DICHTSCHEIBE	Up to S/N 231010544	4
24	536253908	VERKABELUNG KPL	Modular Jack	1
25	591494301	GRIFF	Magnetic Sensor Board	1
26	598369701	STAUBDICHTUNG		1

**AUTOMOWER 535 AWD
CHASSIS REAR**



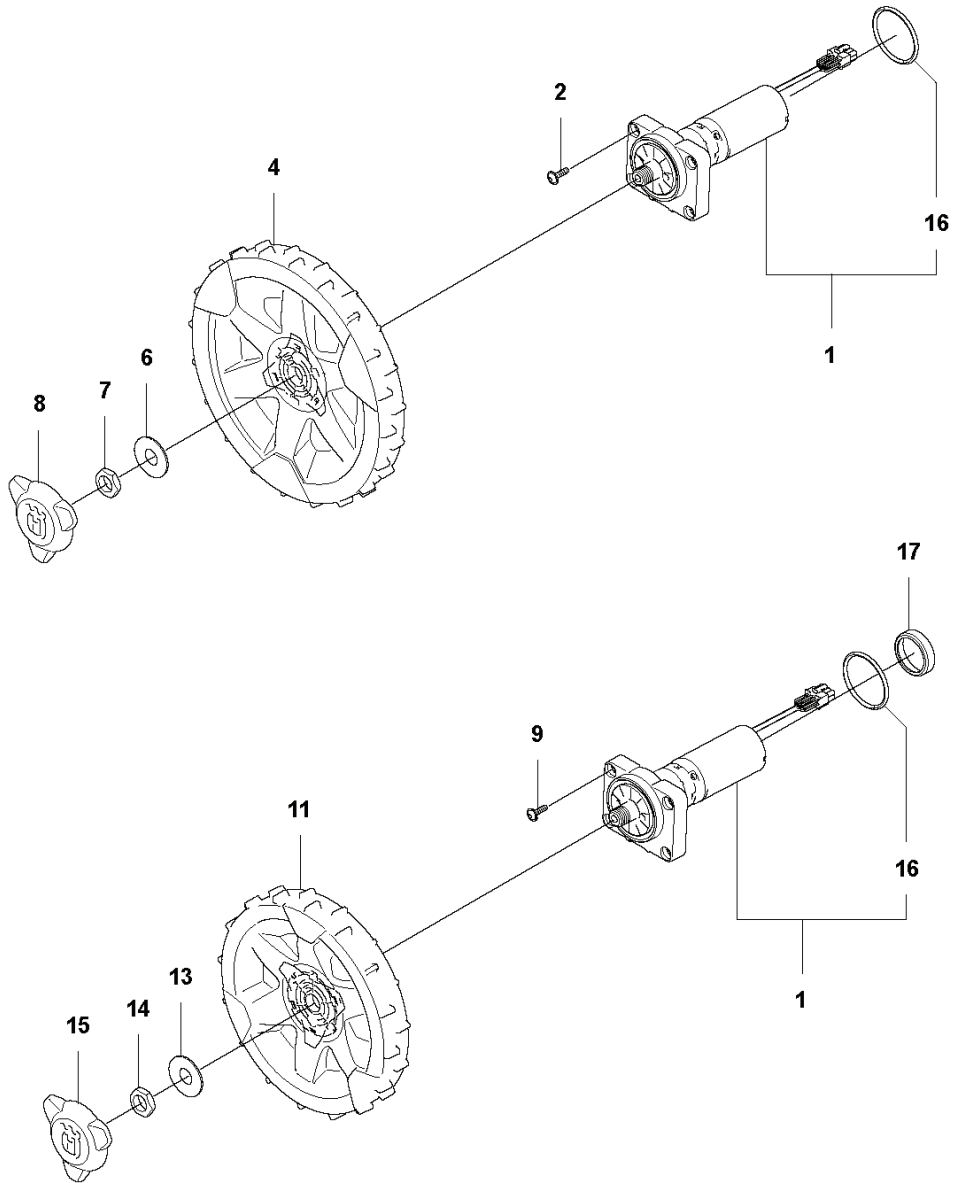
PXM_REF	PXM_PARTNO	BESCHREIBUNG	PXM_REMARK	
1	575543314	SCHRAUBE	ITXPANT	17
2	591487001	GRIFF	Grommet	1
3	591484201	RAHMEN	Upper Rear	1
4	577753701	FILTER	Air Filter	1
5	574874713	DICHTUNGSSTREIFEN	Chassis Lower Rear	1
7	595082901	GRIFF	Wire Saddle	1
9	591125501	PLATINE KPL.	Magnetic Sensor	3
10	589350801	VERKABELUNG KPL.	Modular Jack	1
11	591494301	GRIFF	Magnetic Sensor Board	1
12	591494201	GRIFF	PCB Rear	1
13	593309402	VERKABELUNG KPL.	Main Cable Rear	1
14	591125601	PLATINE KPL.	Motor Controller Board	1
15	536253901	VERKABELUNG KPL.	Modular Jack	1
16	591125703	PLATINE KPL.	Loop Receiver Board Rear	1
17	594058601	JOYSTICK ASSY	Rear	4
18	591484102	RAHMEN	Lower Rear	1
19	536777901	DECKEL	From S/N 232402634	1
19	594016201	DECKEL	Up to S/N 232405364	1
20	536896001	BATTERIE	Battery upgrade kit, Up to S/N 232405364	1
21	534199401	BATTERIE	Battery, From S/N 232402634	1
22	531144201	VERKABELUNG KPL.	Battery Charging Adapter	1
23	535009701	VERKABELUNG KPL.	Battery Cable Premium	1
24	536856101	HALTER	From S/N 232402634	1
24	592635801	HALTER	Up to S/N 232405364	1
25	588222201	SCHRAUBE		8

D AUTOMOWER 535 AWD
CENTER CONSOL



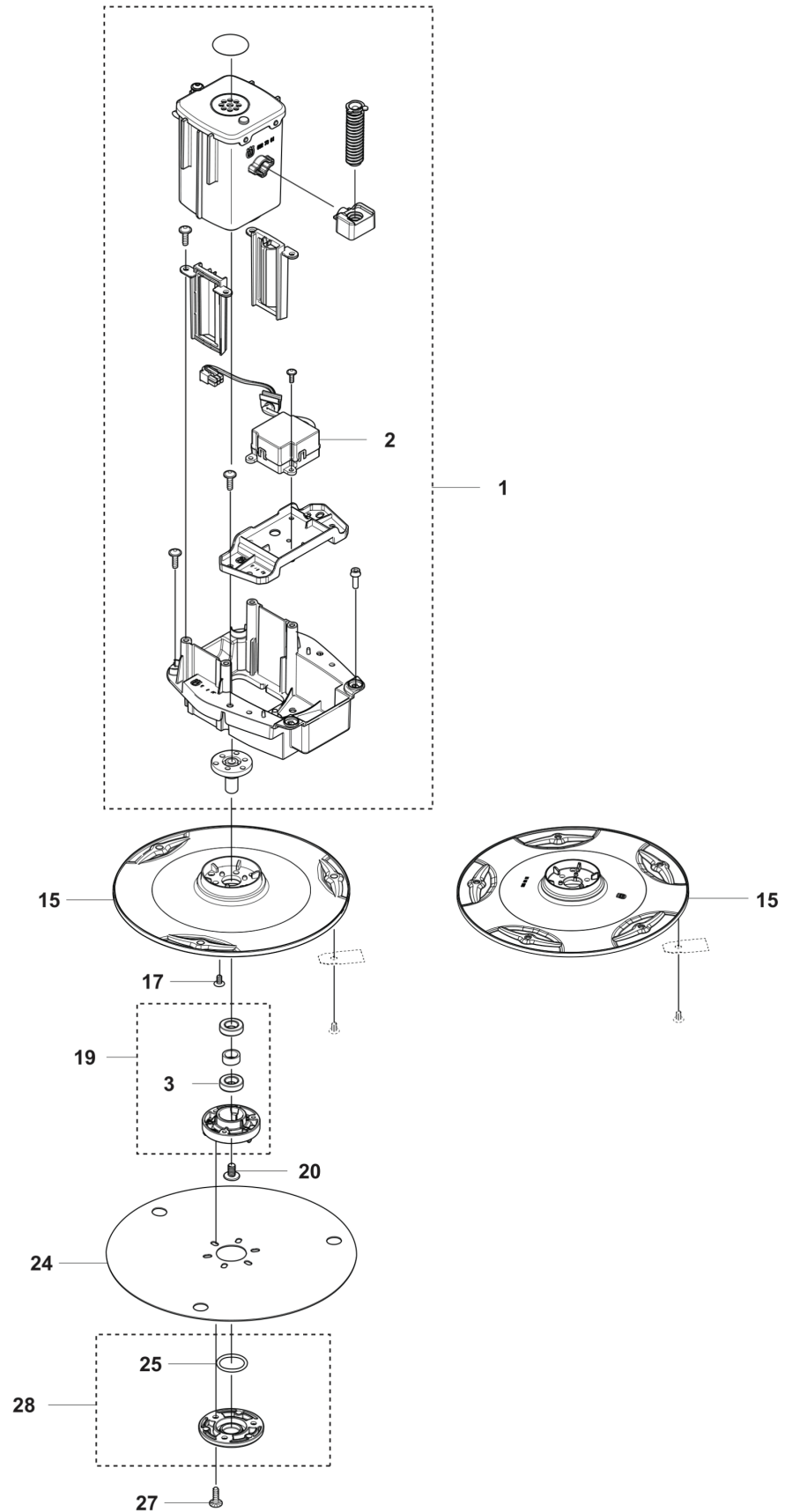
PXM_REF	PXM_PARTNO	BESCHREIBUNG	PXM_REMARK	
1	592614501	DECKEL	HMI	2
2	574450101	SCHRAUBE	ITXPANT	10
3	597162202	COVER ASSY		1
4	592614202	KNOB ASSY	5 Serie	1
5	576921501	LUFTFILTER		1
6	574874714	DICHTUNGSSSTREIFEN	Chassis upper front	1
14	591100201	PLATINE KPL	Application Board. Up to S/N 241013408	1
14	591100202	PLATINE KPL	Application Board. From S/N 241013409	1
15	525887401	SCREW CITXPANT		6
16	597162101	GRIFF KPL		1
21	593355101	KLEMME		1
22	591351701	STÜTZBÜGEL		1
23	591487103	DECKEL		1
24	586444901	SCREW ITXSCT		2
25	593355202	KLEMME	Main Cable	1
26	503220401	MUTTER	Washer	1
27	590944201	STÜTZE		1
28	580292901	SCREW ITXSCT		5
29	598570801	SCHRAUBE		4
30	591203201	VERKABELUNG KPL		1
32	586444901	SCREW ITXSCT		2
33	592944001	SCHALTER		1
34	597166401	PIVOTING ARM KIT		1
35	740431300	O-RING		2
36	592629001	SCHRAUBE		1
37	525824401	SCHRAUBE		4
38	597476101	KLAMMER		1
39	591452202	VERKABELUNG KPL		1

E AUTOMOWER 535 AWD
WHEELS & TIRES



PXM_REF	PXM_PARTNO	BESCHREIBUNG	PXM_REMARK
1	581621307	MOTOR KIT	2
2	574450101	SCHRAUBE	8
4	582280201	RAD KIT	Grey 2
6	586210601	SCHEIBE	4
7	731432401	SECHSKANT-FLACHMUTTER	4
8	579505502	RADKAPPE	2
9	574450101	SCHRAUBE	8
11	590217301	RAD KPL.	Grey 2
13	586210601	SCHEIBE	4
14	731432401	SECHSKANT-FLACHMUTTER	4
15	579505502	RADKAPPE	2
16	580443902	O-RING	1
17	529460101	DECKEL	1

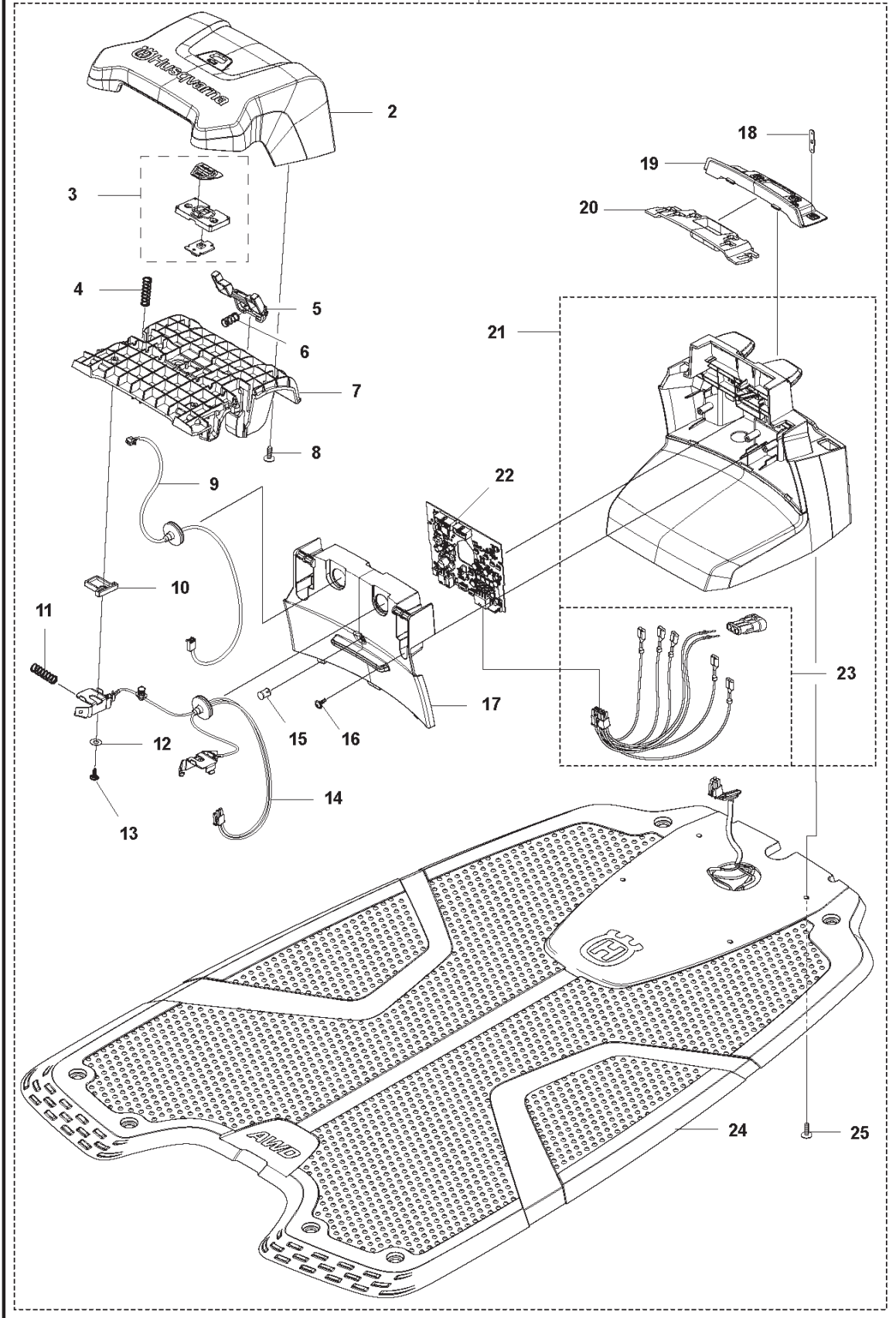
**AUTOMOWER 535 AWD
BLADE MOTOR AND CUTTING EQUIPMENT**



PXM_REF	PXM_PARTNO	BESCHREIBUNG	PXM_REMARK	
1	592733701	CUTTING MODULE		1
2	592735801	HEIGHT ADJUSTMENT MOTOR		1
3	535075703	KUGELLAGER		2
3	593080801	KUGELLAGER	Tube 50 pcs	2
15	585296902	TRENNSCHEIBE	For mowers produced 2019	1
15	536645101	TRENNSCHEIBE	For mowers produced from S/N 231010545	1
15	531177401	TRENNSCHEIBE	For mowers produced 2020-2022	1
17	590508701	SCHRAUBE		3
19	588421702	LAGERGEHÄUSE KPL.		1
20	535076001	SCHRAUBE		1
24	585297001	GLEITPLATTE	For mowers produced 2019	1
24	598794801	GLEITPLATTE	For mowers produced from 2020	1
25	585297501	O-RING		1
27	575543314	SCHRAUBE		1
28	587449601	ABDECKUNGSSATZ		1

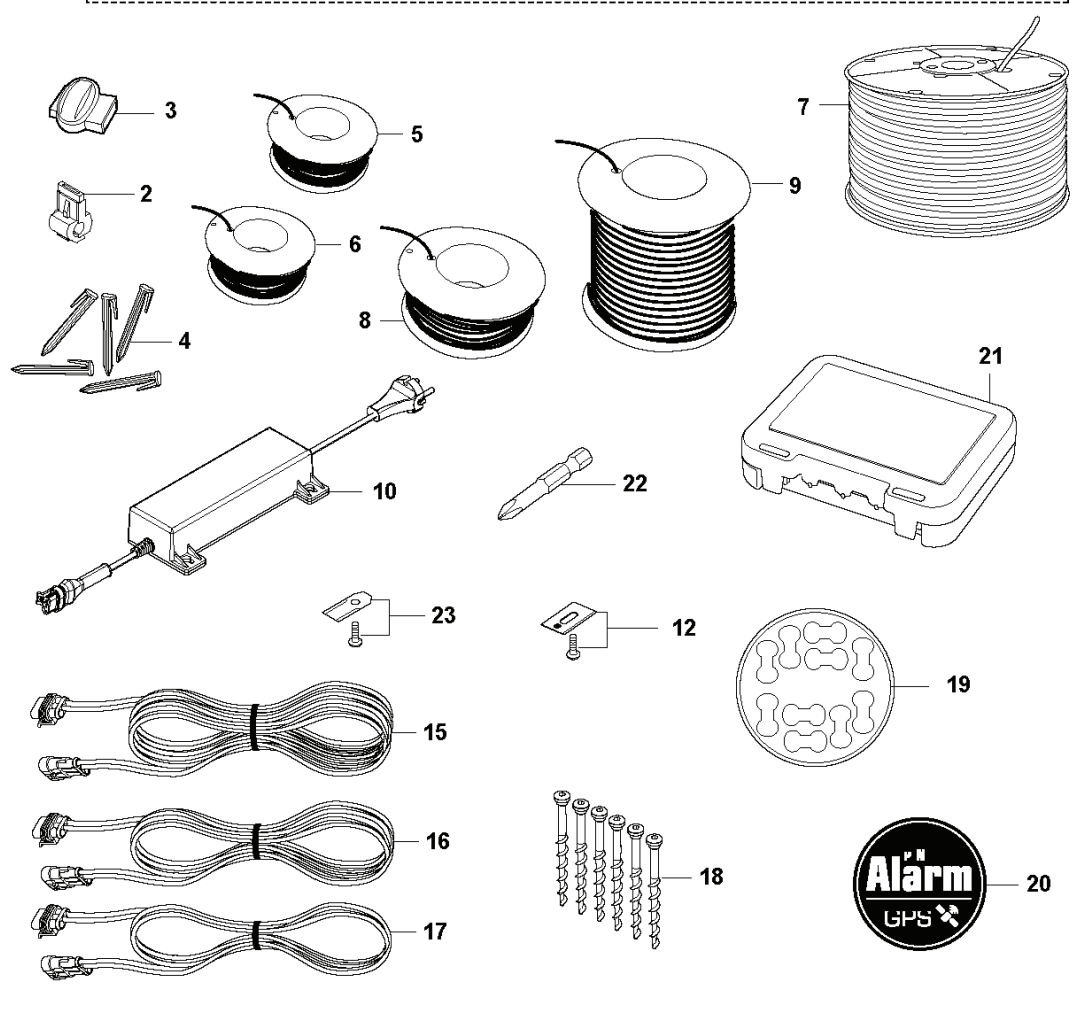
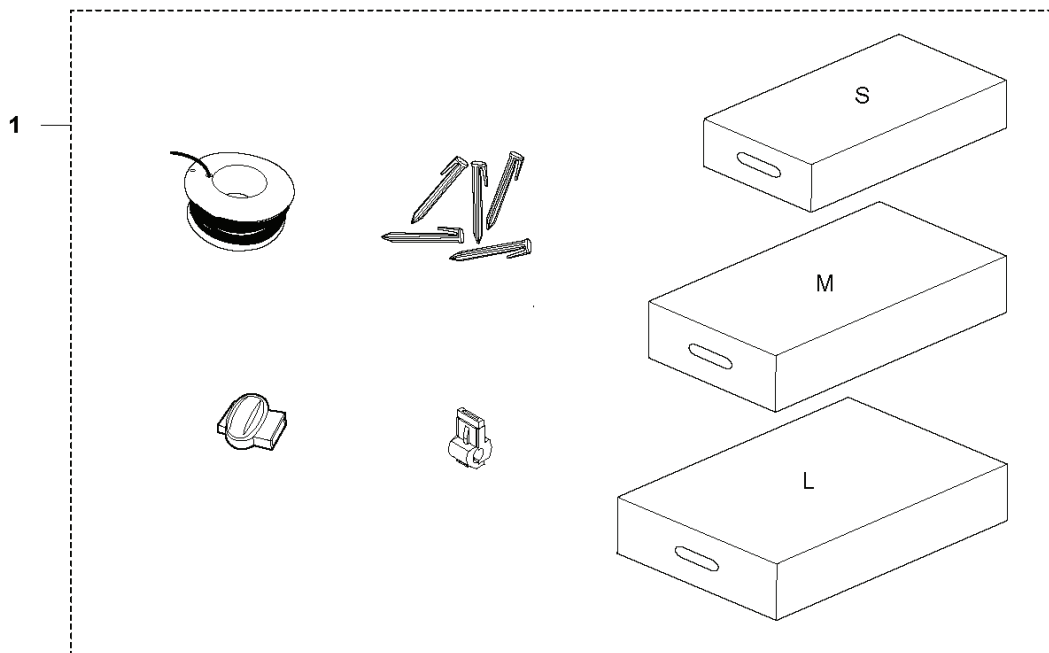
G AUTOMOWER 535 AWD
CHARGING STATION

1



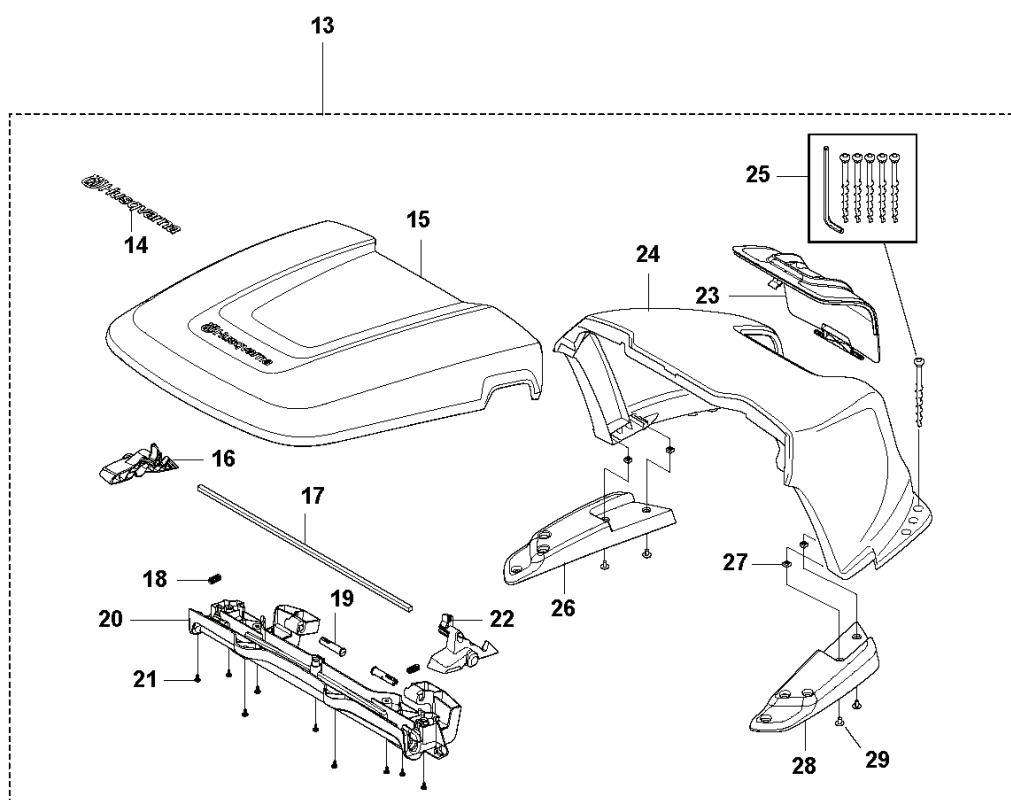
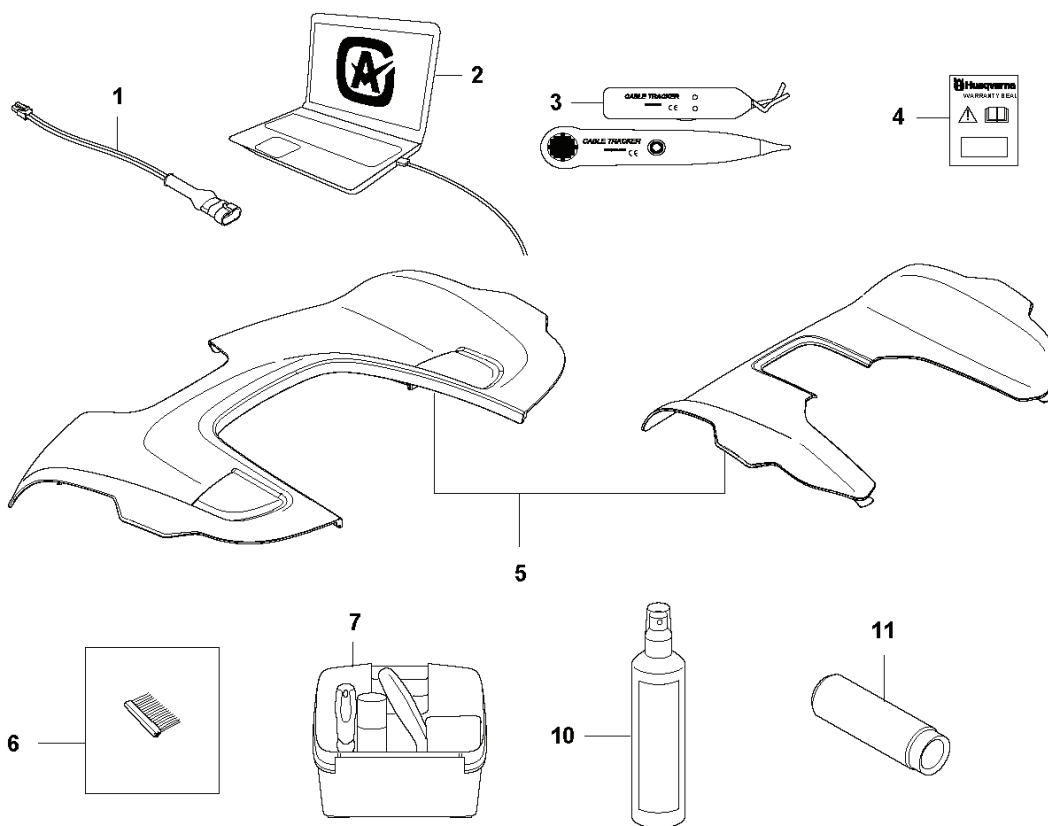
PXM_REF	PXM_PARTNO	BESCHREIBUNG	PXM_REMARK	
1	595310103	LADESTATION	Universal P25 3 guides	1
2	579448204	HUT	With park button	1
2	579448203	HUT	Without Park button	1
3	501065901	BUTTON KIT	Home Button Kit, with park button	1
4	580511401	FEDER		2
5	579462402	KNOPF	Button-Release	1
6	574487001	FEDER		1
7	579458004	RAHMEN		1
8	575543314	SCHRAUBE		12
9	579708301	ISOLIERROHR	Home Button Wiring, with park button	1
10	579460502	ABSTANDSSCHEIBE		2
11	580511401	FEDER		2
12	734113741	SCHEIBE		2
13	575543314	SCHRAUBE		2
14	531242201	VERKABELUNG KPL	Loom Charging Contact. Up to S/N 240604716	1
14	531242202	VERKABELUNG KPL	Loom Charging Contact. From S/N 240604717	1
15	590217201	LINSE		1
16	575543314	SCHRAUBE		2
17	579459703	DECKEL	2 holes, with park button	1
17	579459704	DECKEL	1 hole	1
18	580504101	ANSCHLUSSELEMENT		5
19	579459803	SCHALTBRETT		1
20	579459901	TOOL HOLDER		1
21	588188802	GEHÄUSE KPL.		1
22	592894504	PLATINE KPL.	Charging station board	1
23	588478901	KABELSATZ	Wiring CS	1
24	595283601	BASE ASSY	Charging Plate	1
25	575543314	SCHRAUBE		12

H AUTOMOWER 535 AWD INSTALLATION ACCESSORIES



PXM_REF	PXM_PARTNO	BESCHREIBUNG	PXM_REMARK		
1	967623601	INSTALLATION KIT	S Wire 150 m, Staples 300 pc, Connectors 3 pcs, Couplers 5 pcs	1	
1	967623602	INSTALLATION KIT	M Wire 250 m, Staples 400 pc, Connectors 3 pcs, Couplers 5 pcs	1	
1	967623603	INSTALLATION KIT	S Wire 400 m, Staples 600 pc, Connectors 5 pcs, Couplers 5 pcs	1	
2	535129001	KONTAKTSTÜCK	Loop Wire Connector	1	
2	535129002	KONTAKTSTÜCK	Loop Wire Connector, Blister Pack 100 pcs	1	
2	577864801	KONTAKTSTÜCK	Loop Wire Connector, Blister Pack 5 pcs	1	
3	501980201	KUPPLUNG	Coupler	1	
3	501980203	KUPPLUNG	Coupler, 100 pcs	1	
3	577864701	KUPPLUNG	Coupler, Blister Pack 5 pcs	1	
4	583973401	KLAMMER	100 pcs	1	
4	577864201	KLAMMER	Staple Blister Pack 100 pcs	1	
5	577864301	KABEL	Wire, Blister Pack 150 m	1	
5	580662002	KABEL	Wire, 150 m	1	
5	577864302	KABEL	Wire, Blister Pack 50 m	1	
6	580662001	KABEL	Wire, 250 m	1	
7	593297701	KABEL	Wire Pro, 300 m	1	
8	522914101	KABEL	Wire, 500 m, diam 3.4mm	1	
9	580662004	KABEL	Wire, 800 m	1	
10	590442505	ANTRIEBSEINHEIT	Power Unit AUS/NZ	1	
10	590442504	ANTRIEBSEINHEIT	Power Unit US	1	
10	590442503	ANTRIEBSEINHEIT	Power Unit CH	1	
10	590442502	ANTRIEBSEINHEIT	Power Unit GB	1	
10	590442501	POWER SUPPLY UNIT	Power Unit EU	1	
12	595084401	BLADE SET	Endurance Blade, 6 pcs	1	
12	595084402	BLADE SET	Endurance Blade, 45 pcs	1	
12	595084403	BLADE SET	Endurance Blade, 300 pcs	1	
15	588765004	KABELSATZ	Low Voltage Cable, 20 m	1	
16	588765005	KABELSATZ	Low Voltage Cable, 10 m	1	
17	588765006	KABELSATZ	Low Voltage Cable, 3 m	1	
18	575238601	SCREW KIT	6 pcs	1	
18	577864901	SCHRAUBE	Blister Pack, 3 pcs	1	
19	586277901	PLAKETTE	Cable Markers, 10 pcs	1	
20	594054801	AUFKLEBER	Label Alarm	1	
21	590855001	KISTE	Cable Connector Protection	1	
22	596339801	WERKZEUG	Bit for Robotic Blades	1	
23	577606604	BLADE SET	Long Life Safety Blade, 300 pcs	1	
23	577864603	BLADE SET	Long Life Safety Blade, Blister Pack 9 pcs	1	
23	577606505	BLADE SET	Long Life Safety Blade, 45 pcs	1	

**AUTOMOWER 535 AWD
ACCESSORIES**



PXM_REF	PXM_PARTNO	BESCHREIBUNG	PXM_REMARK	
1	598013101	VERKABELUNG KPL.	Battery tester cable	1
3	577606801	TESTAUSRÜSTUNG	Interruption Detector	1
4	580689502	AUFKLEBER	Warranty seal	1
5	596300201	BODY KIT	Top Cover Grey	1
5	596300202	BODY KIT	Top Cover Orange	1
6	505132803	BÜRSTENSATZ	6 pcs	1
7	590855101	CLEANING KIT	Maintenance and Cleaning Kit	1
10	593967901	SPRAY	Care and Shine 200 ml	1
11	502519401	DORN	Tool for splitting chassis	1
13	597635301	GEHÄUSE	House KIT	1
14	577062001	Folie	DECAL	1
15	598465501	DECKEL	COVER	1
16	585324002	EINSTELLHEBEL	Handle Left	1
17	585324101	STANGE	Steel Rod	1
18	580511401	FEDER	Spring	2
19	585341501	ACHSE	Hinge Pin	2
20	585341601	BALKEN	Beam	1
21	575543314	SCHRAUBE	Screw	9
22	585324001	EINSTELLHEBEL	Handle Right	1
23	585323602	LUKE	Hatch	1
24	597635801	GEHÄUSE	Cover Base	1
25	597435801	SCHRAUBE	Screw Kit	1
26	585323802	STÜTZE	Support Base Left	1
27	503226601	MÜTTER 4-KANT	Square Nut	4
28	585323801	STÜTZE	Support Base Left	1
29	535129303	SCHRAUBE	Screw	4